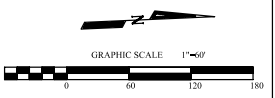


Note:
 (1) Existing Topography Based on Aerial Survey By Walker & Associates Dated 1/18/06

- Legend:**
- MW-1 Groundwater Monitoring Well
 - GP-2 Gas Probe
 - Phase IV-B Liner Grades
 - Leachate Collection Pipe



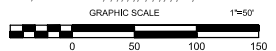
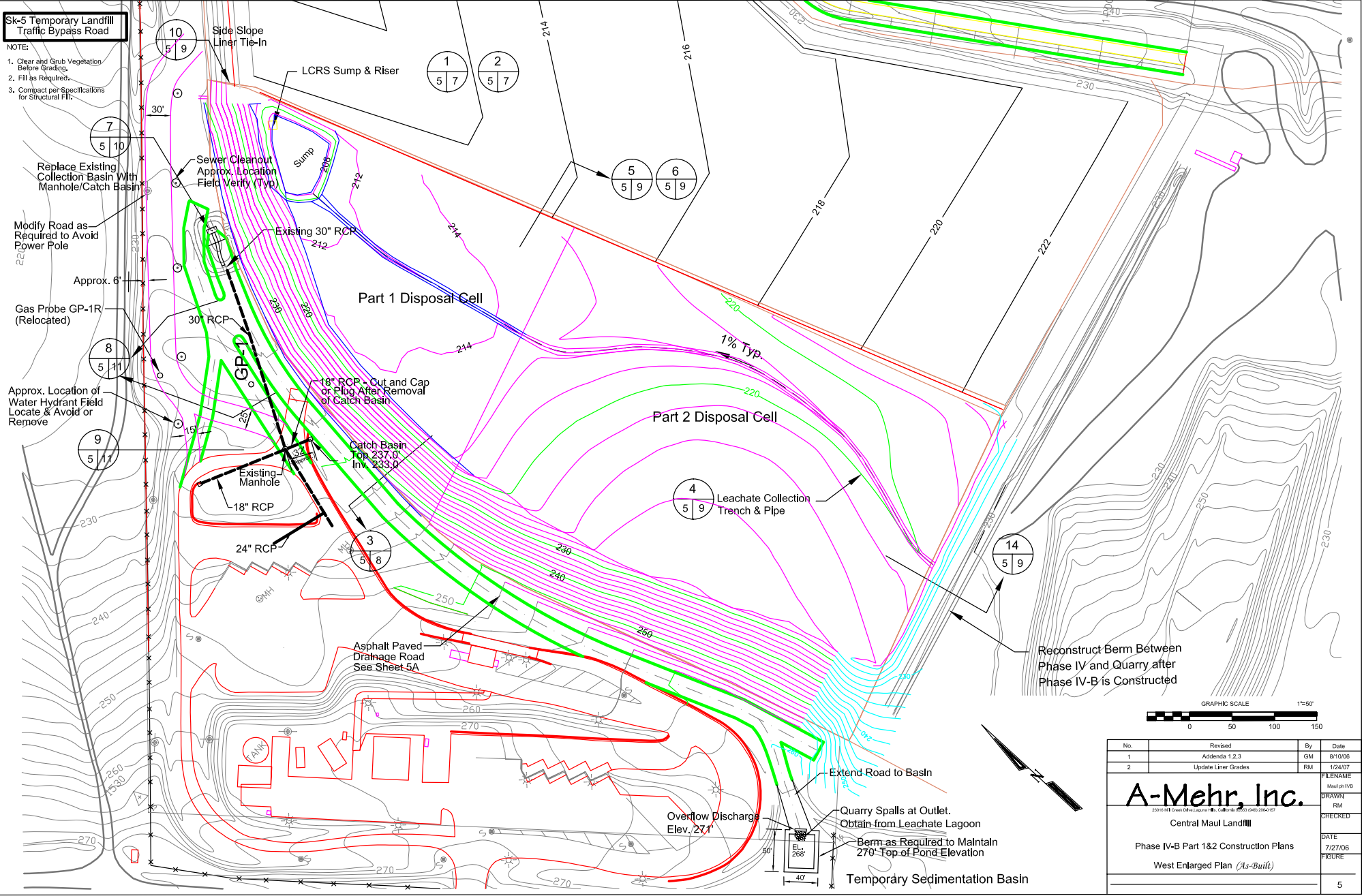
15
4 15

16
4 15

No.	Revised	By	Date
1	Addenda 1,2,3	GM	8/10/06
A-Mehr, Inc. <small>23010 Maui Drive, Laguna Hills, California 92653 (949) 266-1017</small>			
Central Maui Landfill Phase IV-B Part 1&2 Construction Plans Key Plan (As-Built)			
			FILENAME DRAWN CHECKED DATE FIGURE
			4

**Sk-5 Temporary Landfill
Traffic Bypass Road**

- NOTE:
1. Clear and Grub Vegetation Before Grading.
 2. Fill as Required.
 3. Compact per Specifications for Structural Fill.



No.	Revised	By	Date
1	Addenda 1,2,3	GM	8/10/06
2	Update Liner Grades	RM	1/24/07

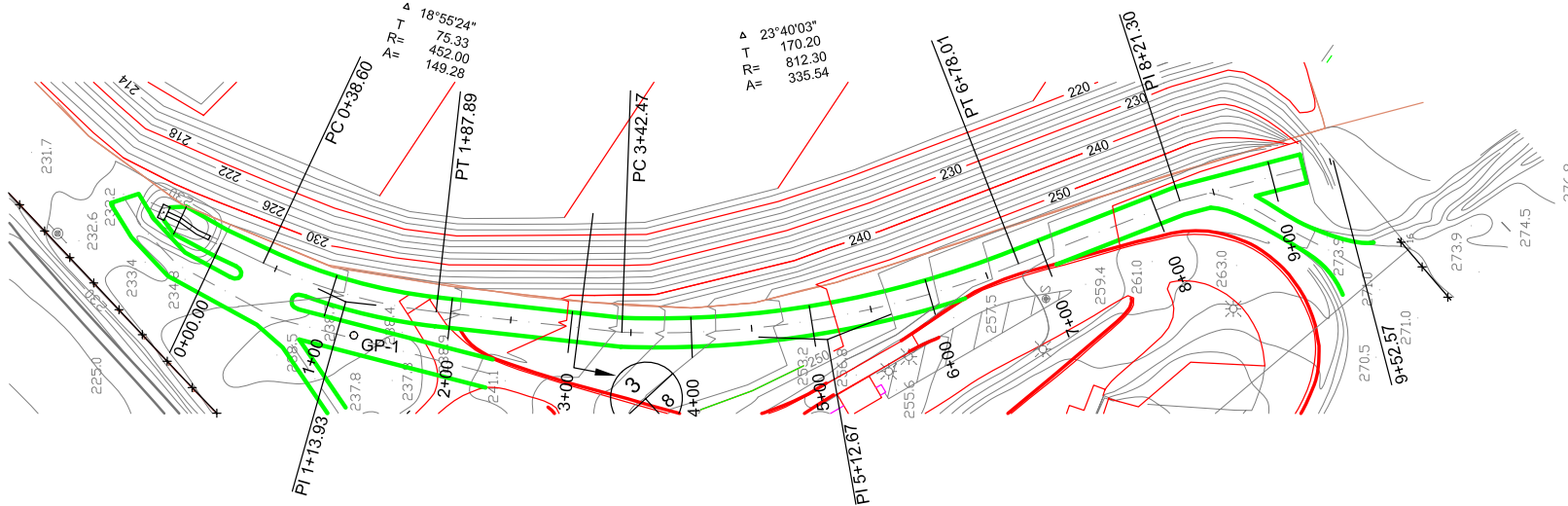
FILENAME: *Mud_en_1116*
 DRAWN: *RM*
 CHECKED: *RM*
 DATE: 7/27/06
 FIGURE: *10*

A-Mehr, Inc.
23018 Mt. Owas Drive Laguna Hills, CA 92653 (949) 264-1917

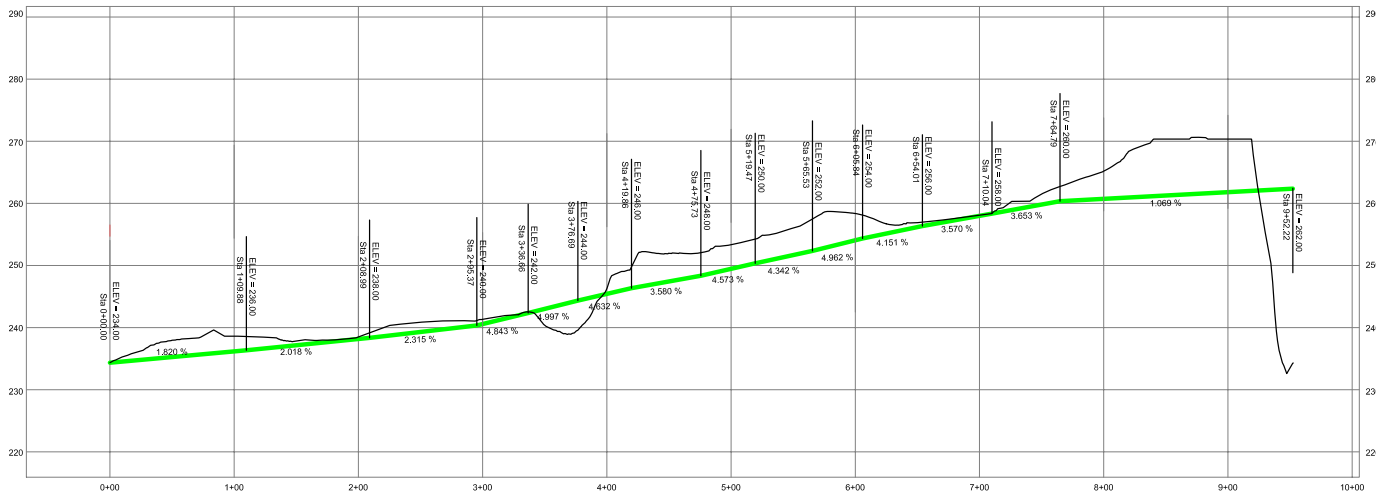
Central Maul Landfill

Phase IV-B Part 1&2 Construction Plans
 West Enlarged Plan (As-Built)

5

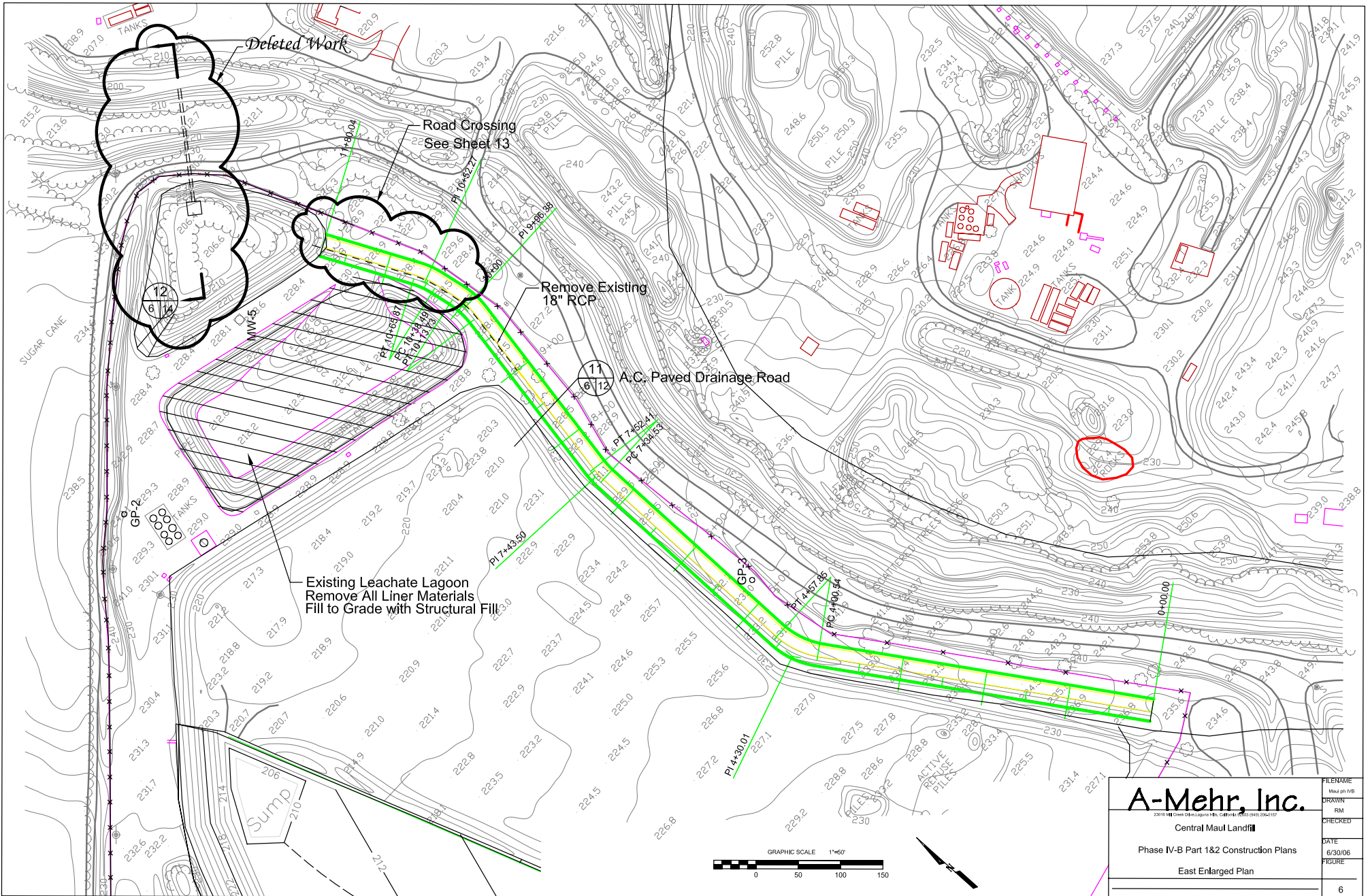


West Drainage Road Plan



West Drainage Road Profile

<p>A-Mehr, Inc. <small>2311 Mid Creek Drive, Laguna Hills, California 92653 (949) 266-1197</small></p> <p>Central Maui Landfill</p> <p>Phase IV-B Part 1&2 Construction Plans</p> <p>West Drainage Road Plan and Profile</p>	FILENAME
	DRAWN
	CHECKED
	DATE
	FIGURE
	5A



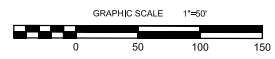
A-Mehr, Inc.
2310 Hill Cross Drive Laguna Hills, California 92653 (949) 266-1117

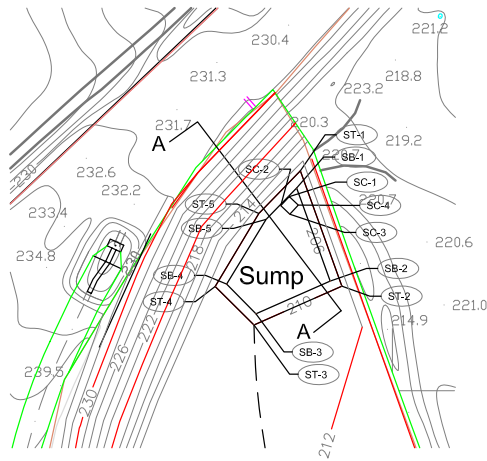
Central Maul Landfill

Phase IV-B Part 1&2 Construction Plans

East Enlarged Plan

FILENAME	Maul ph IVB
DRAWN	RM
CHECKED	
DATE	6/30/06
FIGURE	
	6



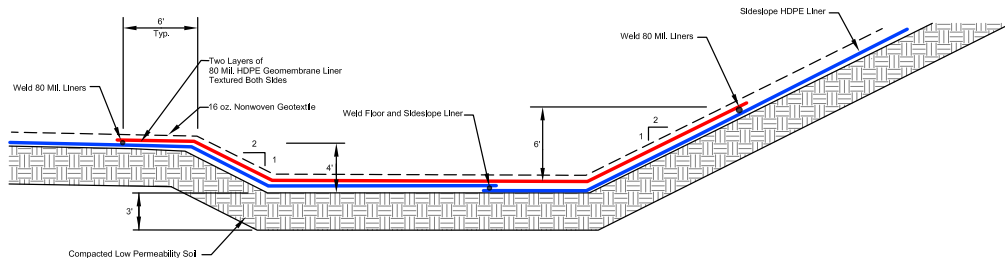
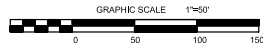


Control Points of LCRS Sump and Berm

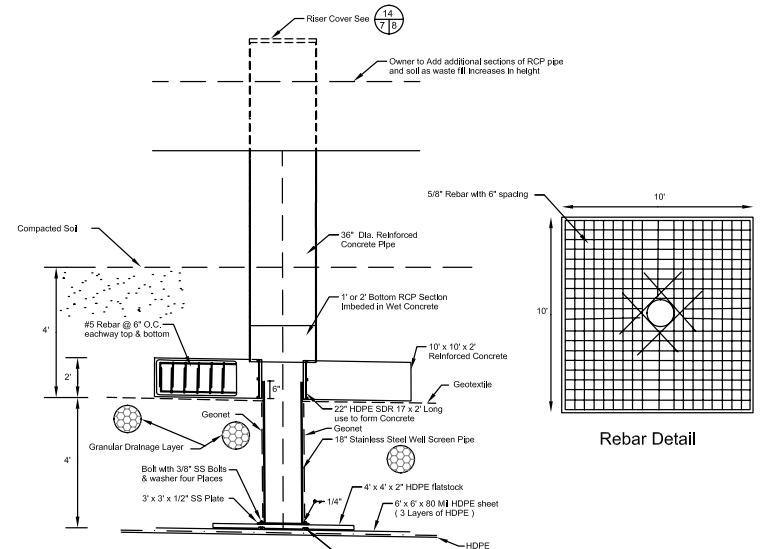
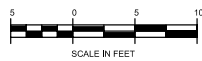
Name	North	East	Elev
SB-1	-13836.7807	-9077.0385	206.00
SB-2	-13911.7593	-9050.0462	206.00
SB-3	-13858.1093	-9109.7902	206.00
SB-4	-13914.1429	-9133.3858	206.00
SB-5	-13862.1047	-9101.6687	206.00
ST-1	-13822.8489	-9074.0471	210.00
ST-2	-13915.7992	-9040.6206	210.00
ST-3	-13947.0348	-9111.4419	210.00
ST-4	-13916.0948	-9142.6435	210.00
ST-5	-13857.3154	-9107.4729	210.00
SC-1	-13843.7330	-9082.9940	205.50
SC-2	-13851.0014	-9089.8621	205.50
SC-3	-13857.8995	-9082.8337	205.50
SC-4	-13850.6011	-9075.7256	205.50



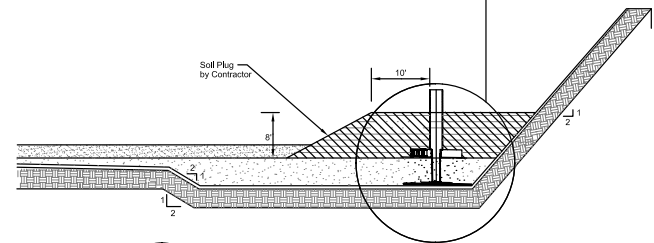
New LCRS Sump



Section A-A Leachate Collection Sump (Profile)



LCRS Riser Detail
(Not to Scale)

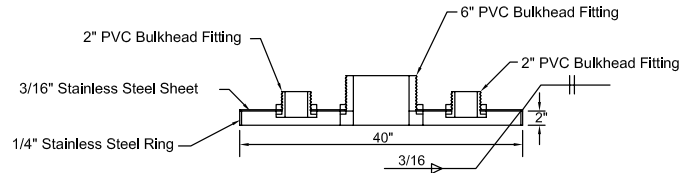
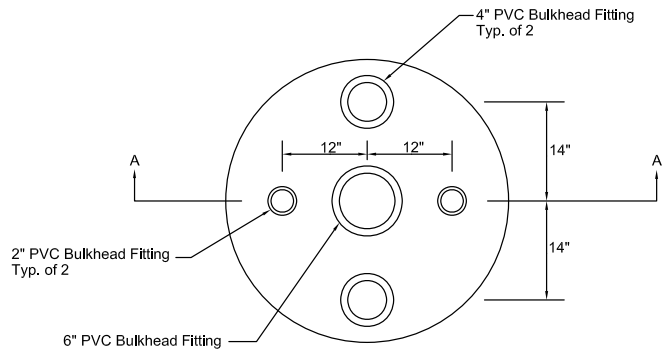


New LCRS Sump and Berm with Initial Soil Plug

No.	Revised	By	Date
1	Addenda 1,2,3	GM	8/10/06

A-Mehr, Inc.
 23018 Hirsch Drive Laguna Hills, California 92653 (949) 269-1057
 Central Maui Landfill
 Phase IV-B Part 1&2 Construction Plans
 Liner Details 1

FILENAME	DRAWN	CHECKED	DATE	FIGURE
Maul.plt.rvt	RM		7/27/06	7



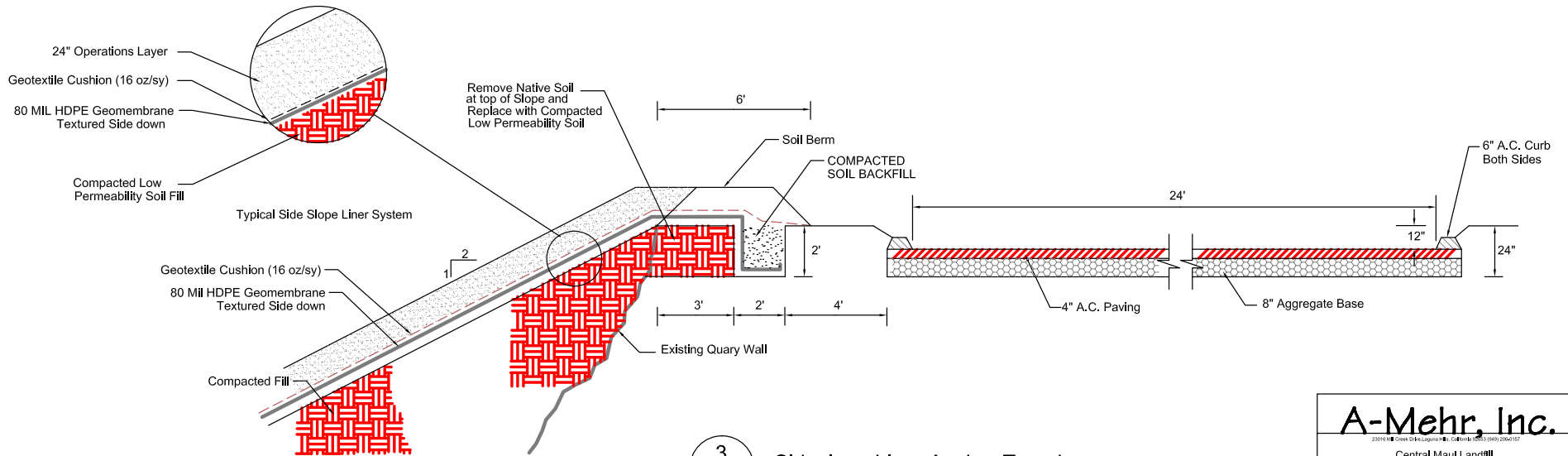
Section A - A

Notes:

- (1) Cover shall be circular with maximum Eccentricity 1/4" on any diameter.
- (2) Use Type 304 or Type 316 stainless steel.
- (3) Supply and Install threaded caps on bulkhead fittings (not shown).

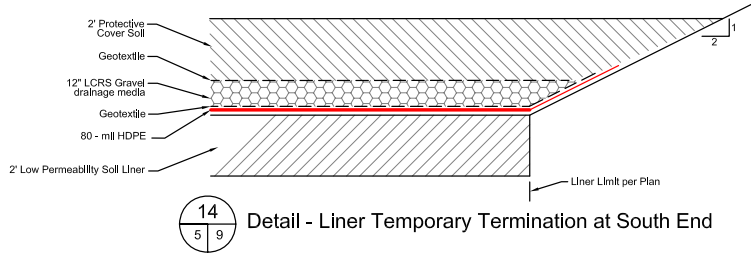
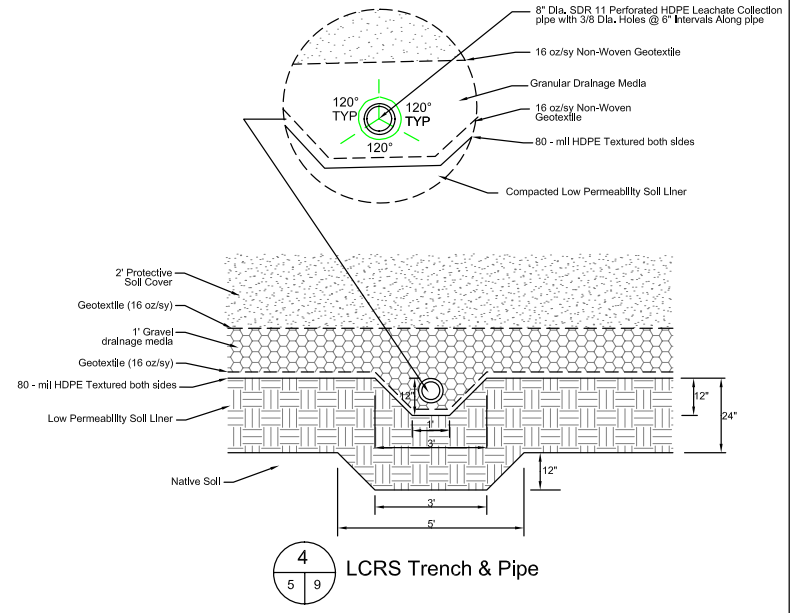
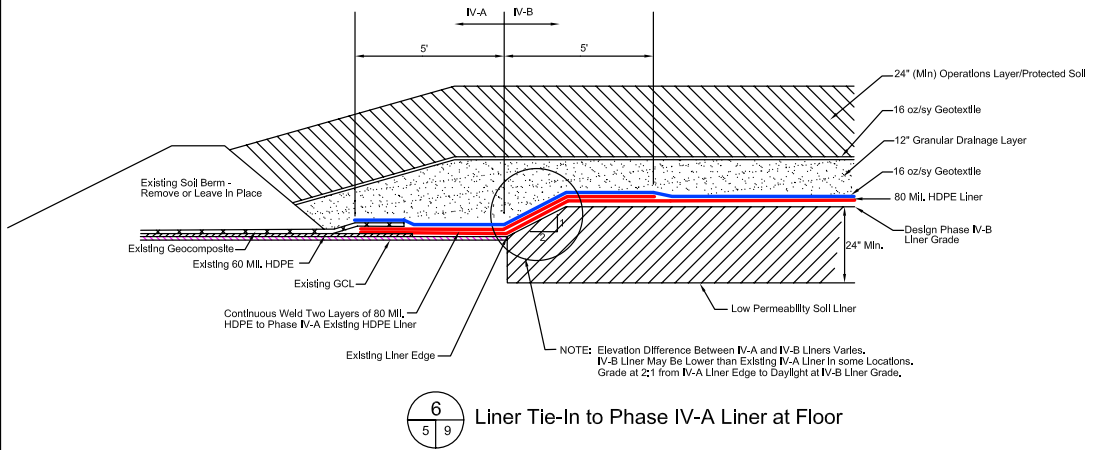
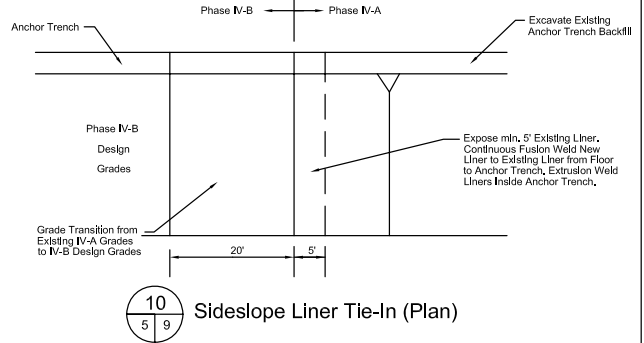
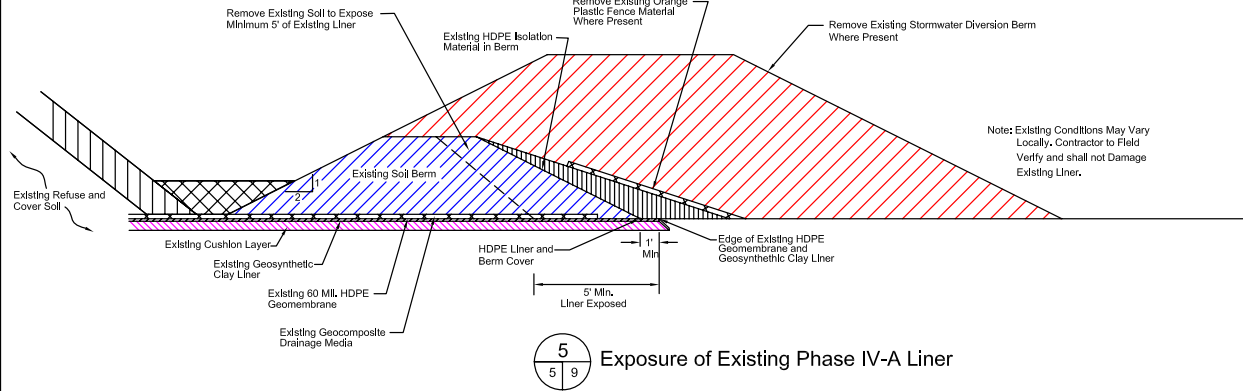


Leachate Riser Cover

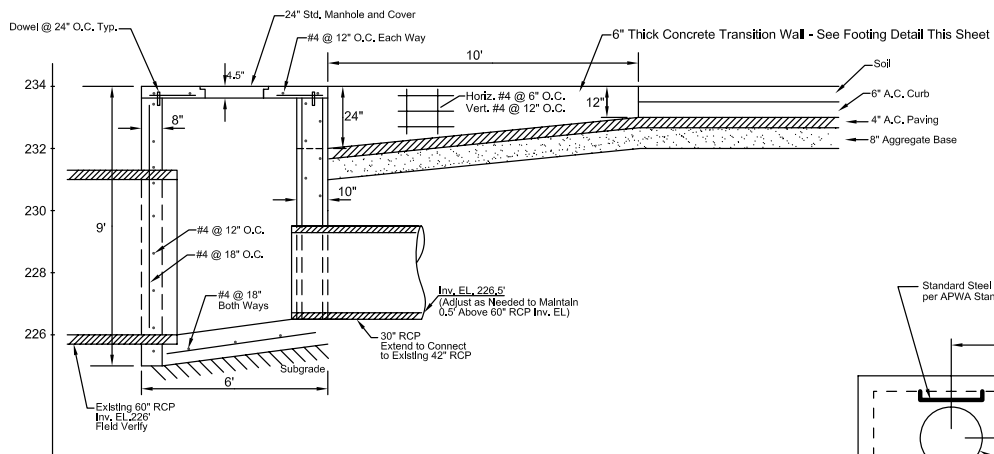


Sideslope Liner Anchor Trench and West Perimeter Drainage Road

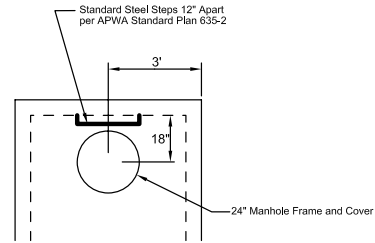
A-Mehr, Inc.		FILENAME Maul_1718
<small>23019 • Onea Drive, Laguna Hills, California 92653 (949) 256-1137</small>		DRAWN RMA
Central Maul Landfill		CHECKED
Phase IV-B Part 1&2 Construction Plans		DATE 6/30/06
Liner Details 2		FIGURE
		8



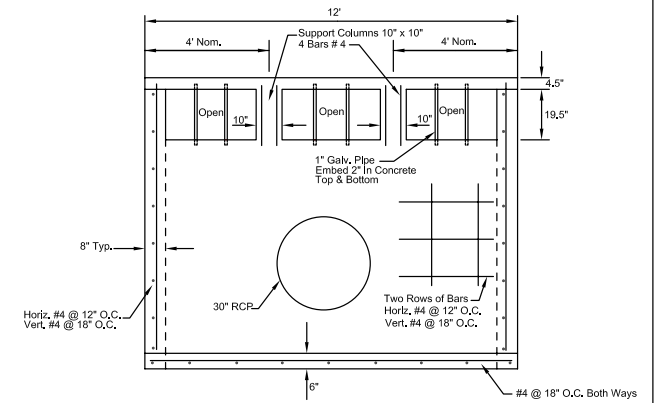
No.	Revised	By	Date
1	Addenda 1,2,3	GM	8/10/06
A-Mehr, Inc.			
Central Maul Landfill			
Phase IV-B Part 1&2 Construction Plans			
Liner Tie-In Details			
			9



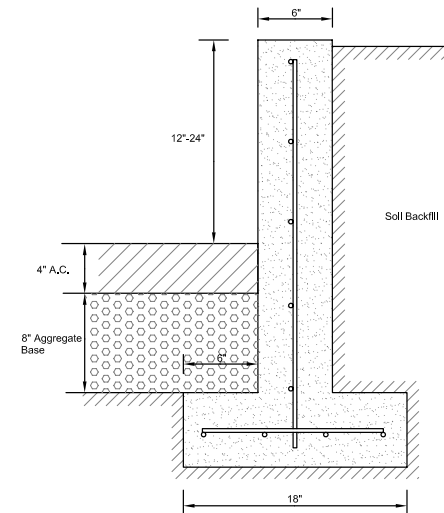
Section A-A - 1"=2'



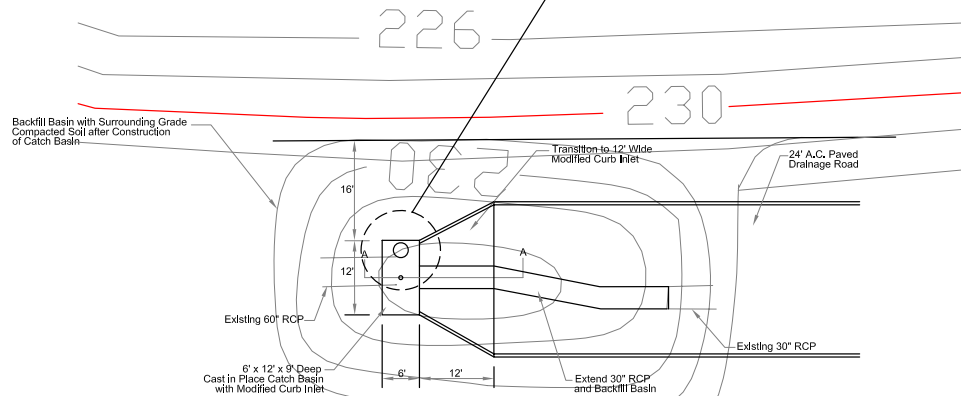
Manhole and Steps Detail



Catch Basin Front Elevation - 1"=2'

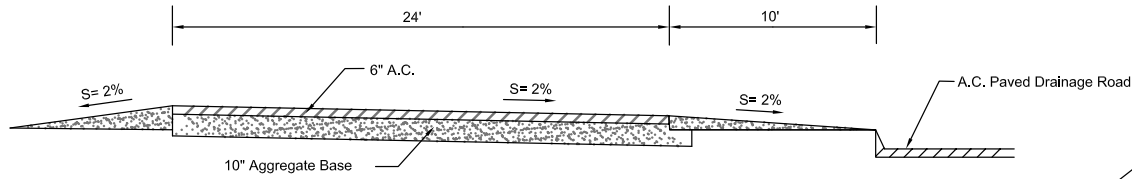


Transition Wall Footing Detail

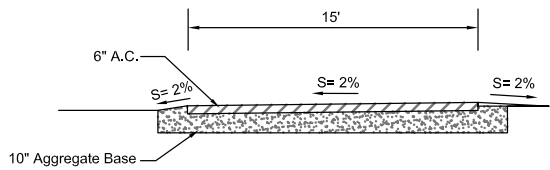


7
5 10 1"=10'

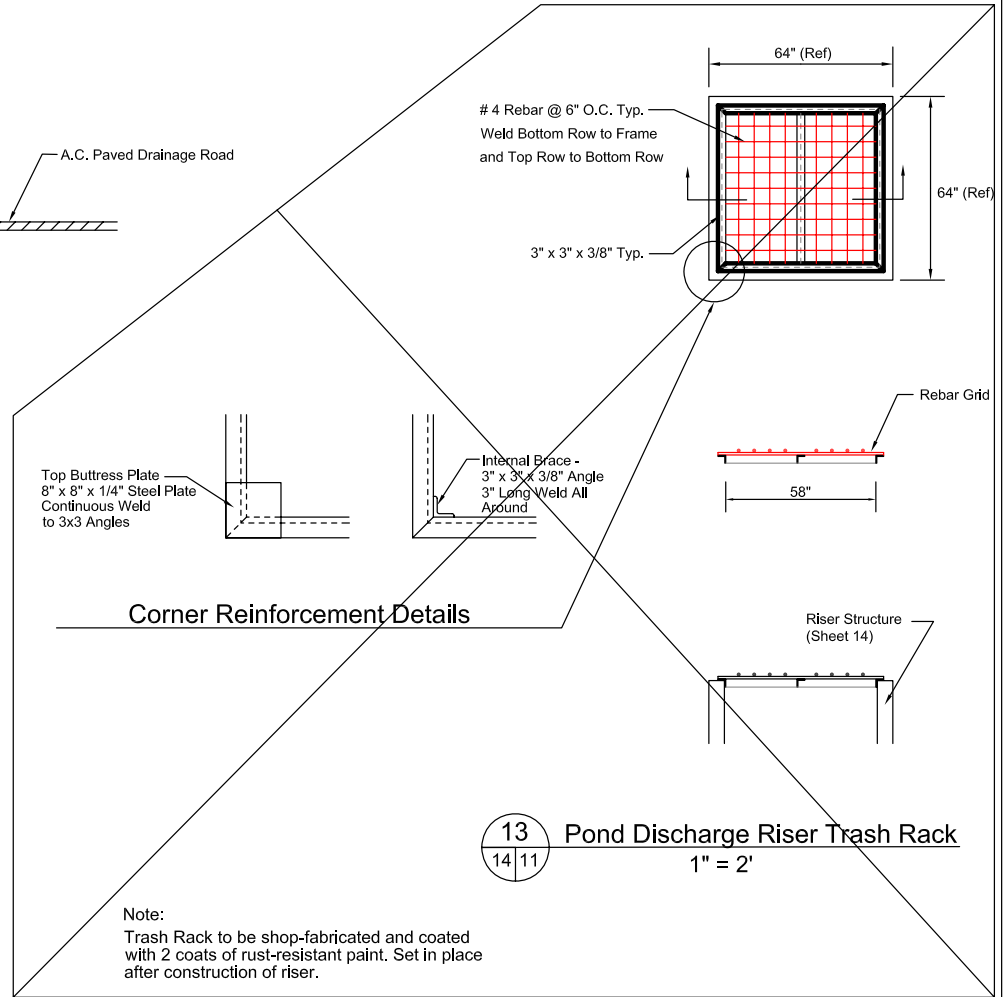
No.	Revised	By	Date
1	Addenda 1,2,3	GM	8/10/06
A-Mehr, Inc.			
23516 • Creek Drive, Laguna Hills, California 92653 (949) 264-0157			
Central Maui Landfill			
Phase IV-B Part 1&2 Construction Plans			
West Drainage Details			
			FILENAME Mid-p4 I/B/B
			DESIGNER GM
			CHECKED
			DATE 7/27/06
			FIGURE
			10



8 24' Wide Access Road Extension
 5 | 11
 1" = 3'



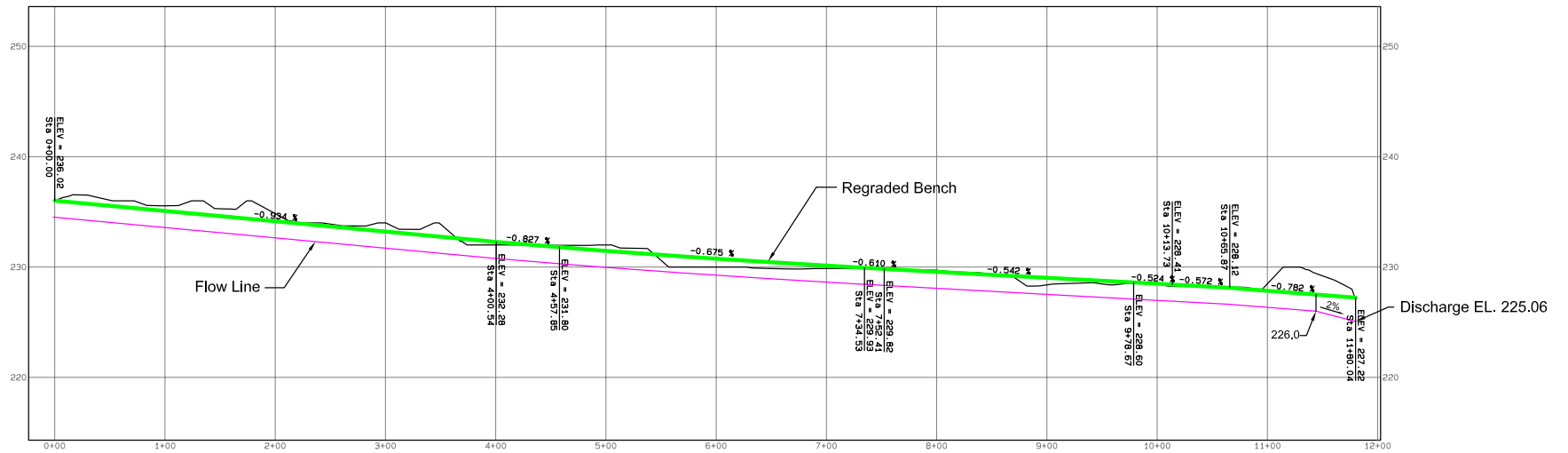
9 15' Wide Exit Road Extension
 5 | 11
 1" = 3'



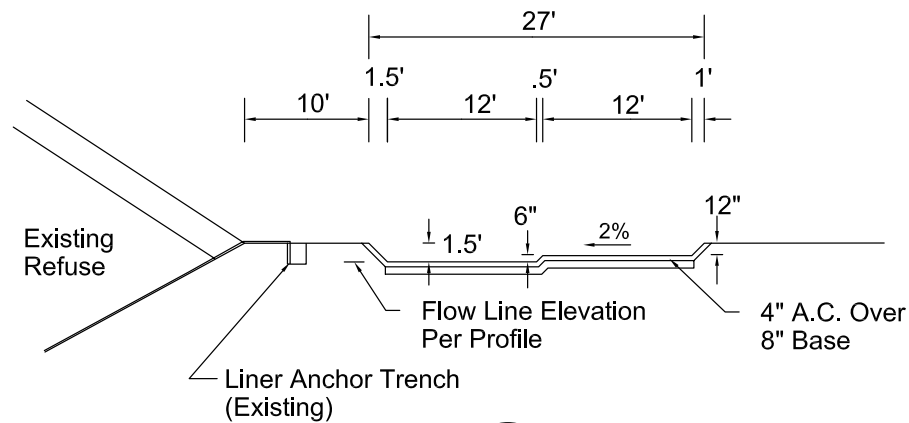
13 Pond Discharge Riser Trash Rack
 14 | 11
 1" = 2'

(Deleted Work)

A-Mehr, Inc.		FILENAME
Central Maui Landfill		Mod of File
Phase IV-B Part 1&2 Construction Plans		DRAWN
Road Details		RM
		CHECKED
		DATE
		6/30/06
		FIGURE
		11

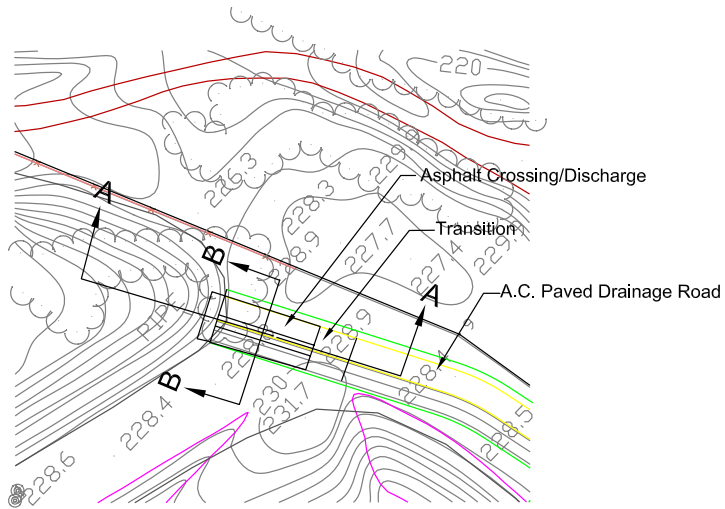


Road Profile

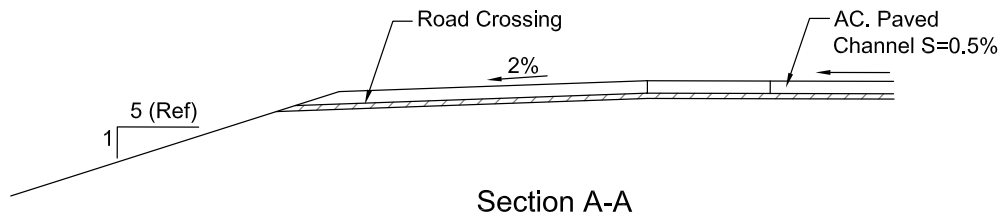
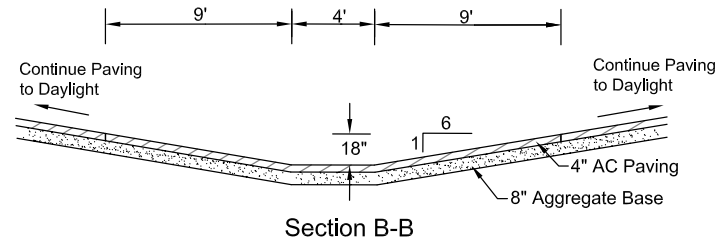


11
6 12 Road Section

A-Mehr, Inc. <small>2300 N. Oahu Blvd., Lagnia, H.K. Cebu City 10053 (PH) 2090157</small> Central Maui Landfill Phase IV-B Part 1&2 Construction Plans East Perimeter Drainage Profile	FILENAME Mudup 11/8
	DRAWN RMA
	CHECKED
	DATE 6/30/06
FIGURE	
12	



Detail Channel Discharge/Road Crossing
1"=30'



A-Mehr, Inc.

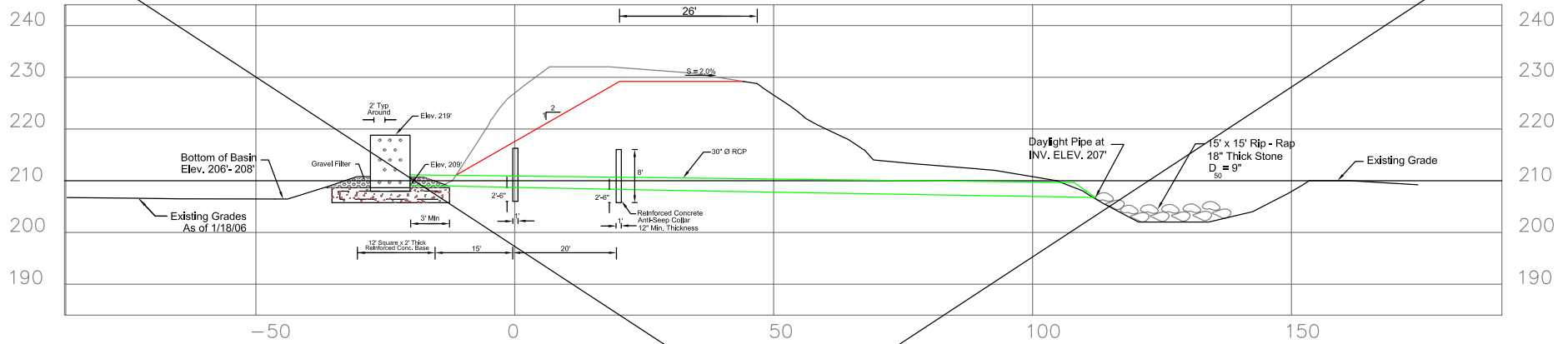
Central Maui Landfill

Phase IV-B Part 1&2 Construction Plans

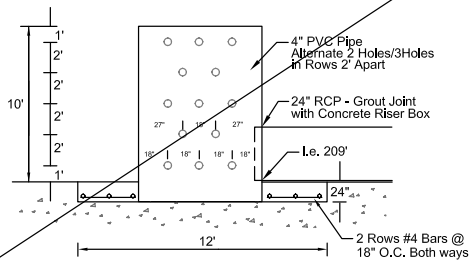
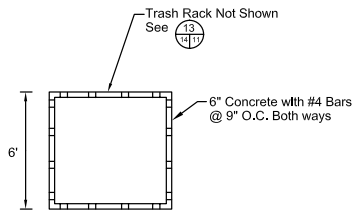
East Perimeter Drainage Details

FILENAME	Mod 04-F10
DRAWN	RM
CHECKED	
DATE	6/30/06
FIGURE	
	13

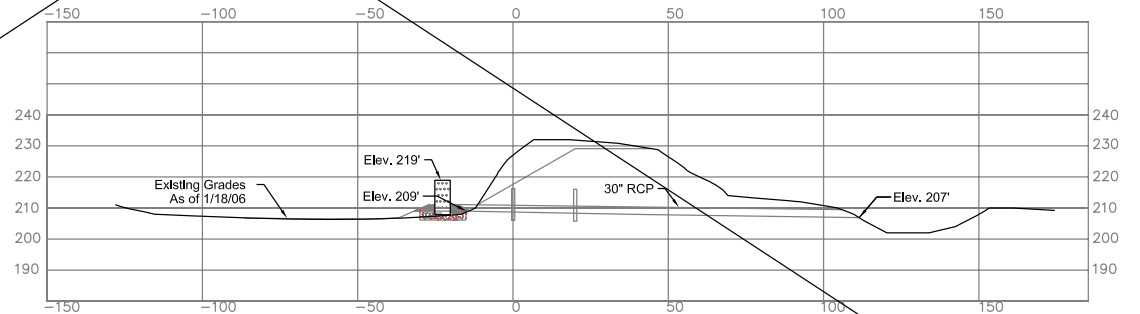
(Deleted Work)



12 Section - Pond Discharge
Scale: 1"=5'

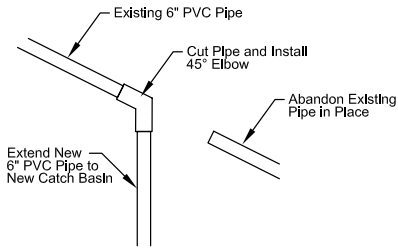


Riser Detail



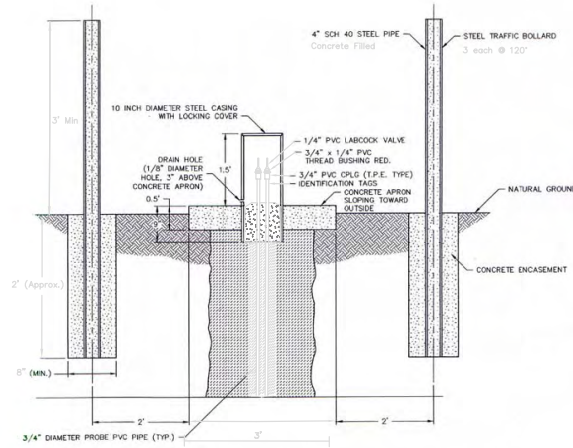
Cross-Section

A-Mehr, Inc. <small>2310 West Oahu Avenue, Suite 200, Honolulu, HI 96815 (808) 249-2060/157</small> Central Maui Landfill		FILENAME
		Mau1p1-118
Phase IV-B Part 1&2 Construction Plans Sedimentation Basin Discharge Structure		PROJW
		RM
FIGURE		CHECKED
		DATE
14		6/30/06
		FIGURE

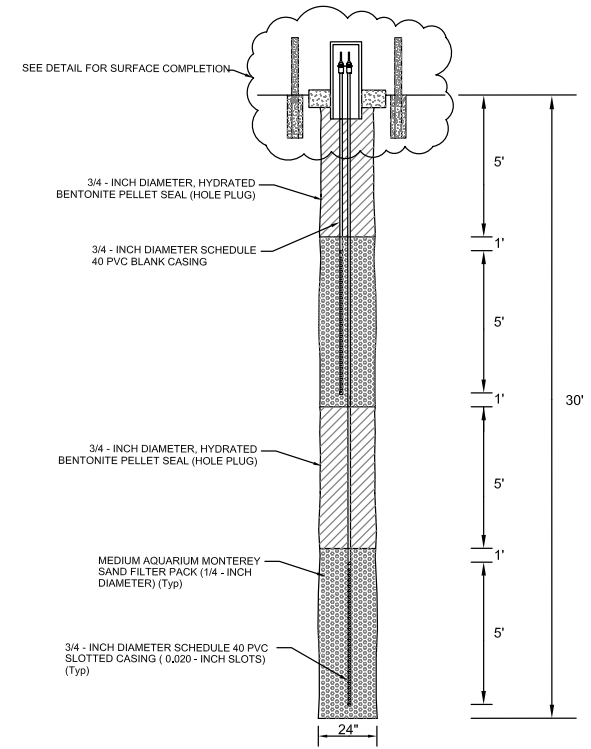


Catch Basin and Sump at Leachate Tanks Connection Detail

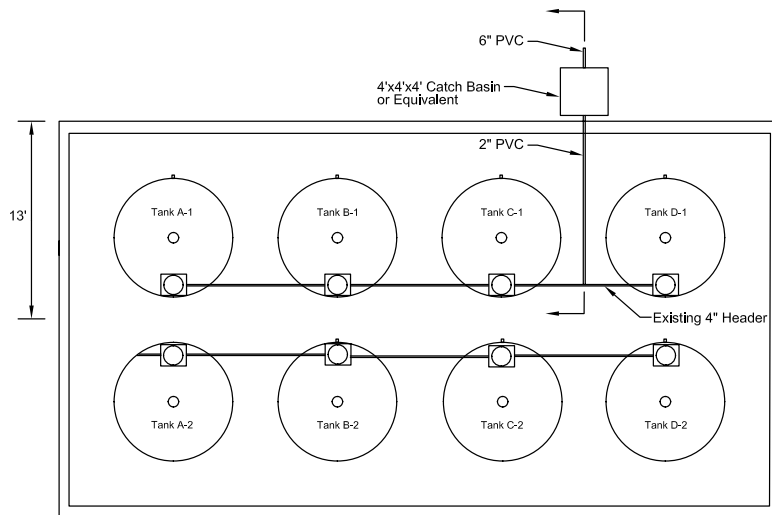
(Note: Pipe inlet is approximately 24" below surface.)



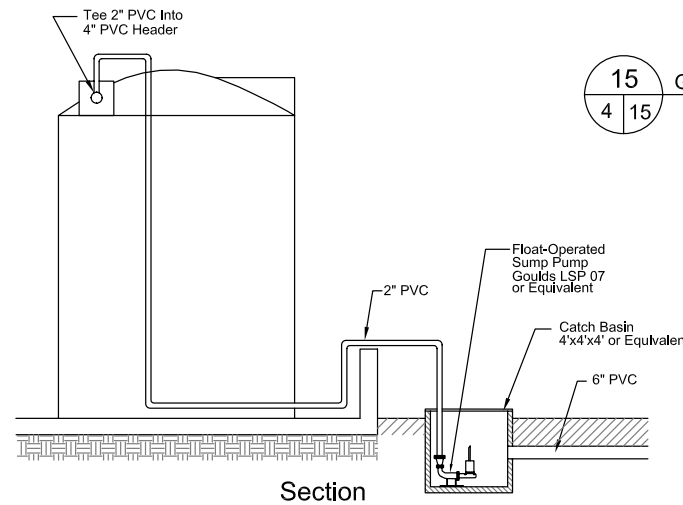
Detail - Gas Probe GP-1R Surface Completion



15 Gas Probe GP-1R
4 15



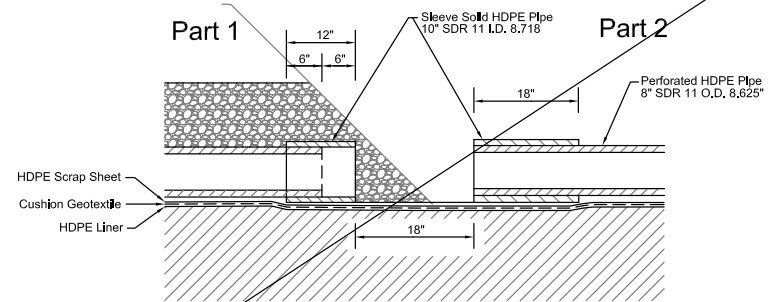
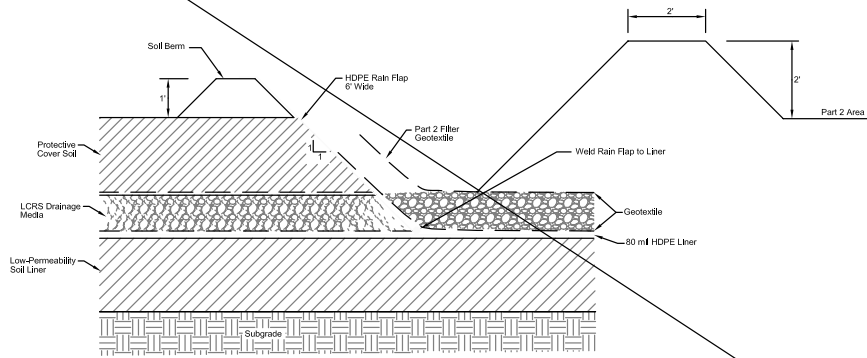
16 Sump and Piping Details
4 15



Section

No.	Revised	By	Date
1	Addenda 1,2,3	GM	8/10/06
A-Mehr, Inc.			Maui ph IV/B
Central Maui Landfill			DRAWN GM
Phase IV-B Part 1&2 Construction Plans			CHECKED
Details			DATE 7/27/06
			FIGURE
			15

(Deleted Work)



Detail 1 - LCRS Pipe Installation at Rain Flap

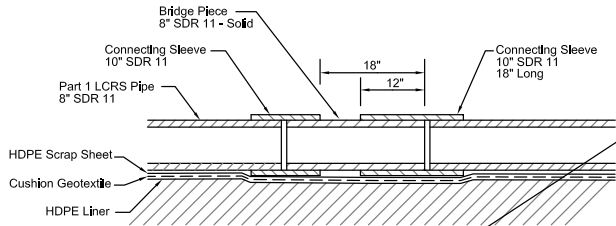
17 Rain Flap Installation
5 16

Rain Flap Installation

1. Complete Part 1 liner, LCRS and protective cover soil including 1' tall berm at edge. Install liner system in Part 2 a minimum of 10' beyond rain flap location.
2. Weld rain flap to HDPE liner as shown.
3. Complete Part 2 liner and LCRS gravel installation
4. Overlap Part 2 filter geotextile 1'-2' up rain flap before installing protective cover soil.
5. Install soil berm along edge of Part 2 protective cover soil. Berm volume to be sufficient to backfill wedge after future removal of soil berm.

Rain Flap at LCRS Pipe Installation

1. Install perforated HDPE pipe in Part 1.
2. Place HDPE Rub Sheet under pipe in area of rain flap installation.
3. Place a minimum 10' section of perforated HDPE pipe in Part 2, separated from pipe in Part 1 by 12"-18" in area of rain flap installation.
4. Assemble connection using 18" SDR 11 pipe sleeves per Detail 2 to establish alignment of Part 2 section.
5. Backfill 10' section of Part 2 pipe to anchor.
6. Slide 18" sleeve back, remove connecting bridge pipe.
7. Install rain flap per Detail .



Detail 2 - Future Connection of LCRS Pipe After Rain Flap Removal

No.	Revised	By	Date
1	As per 1,2,3	GM	8/10/06
A-Mehr, Inc.			FILENAME
Central Maul Landfill			Maul ph I/B
Phase IV-B Part 1&2 Construction Plans			DRAWN
Rain Flap Between Part 1 and Part 2			GM
			CHECKED
			DATE
			7/27/06
			FIGURE
			16