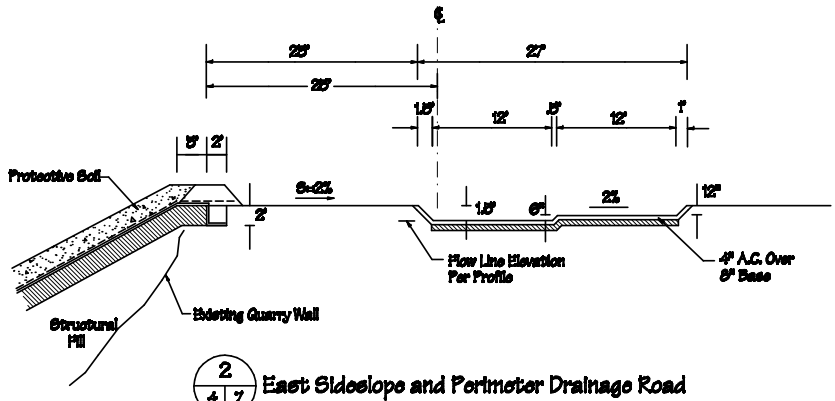
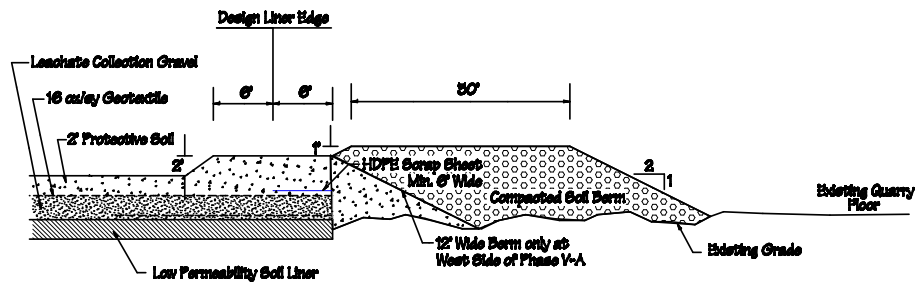


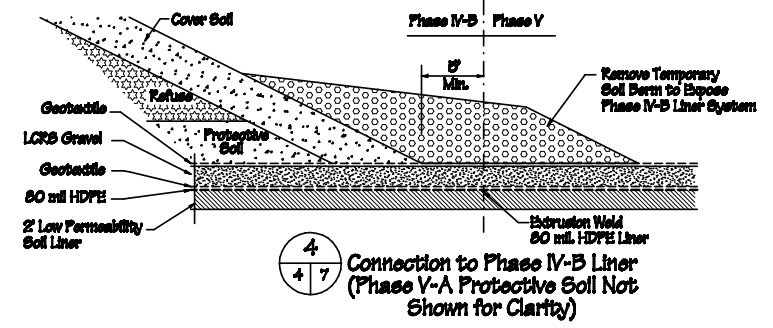
1
4 7
West Side Slope Anchor Trench
And Perimeter Drainage Road



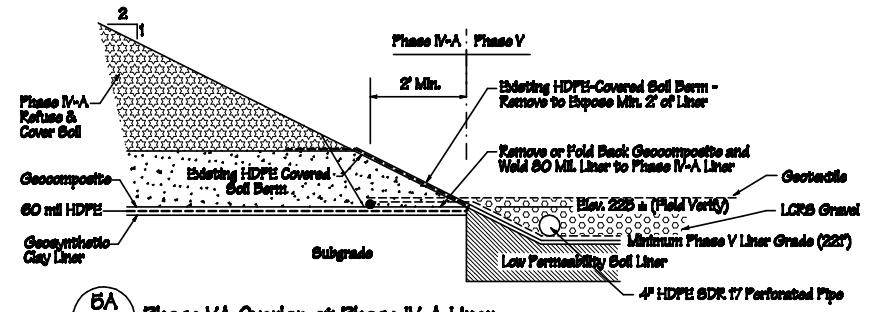
2
4 7
East Side Slope and Perimeter Drainage Road



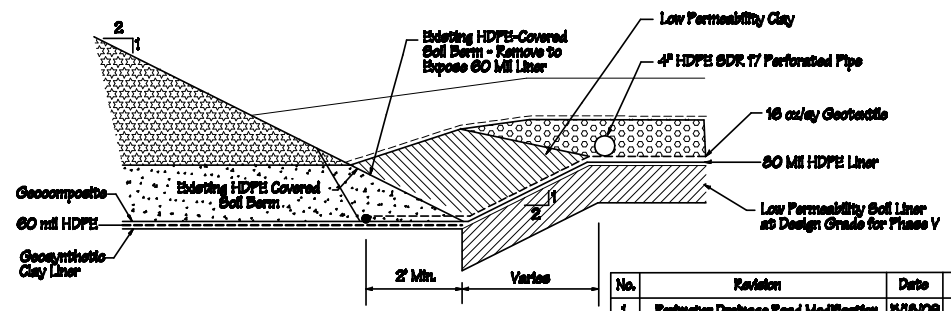
3
4 7
Temporary Liner Termination
And Separation Berm



4
4 7
Connection to Phase IV-B Liner
(Phase V-A Protective Soil Not
Shown for Clarity)



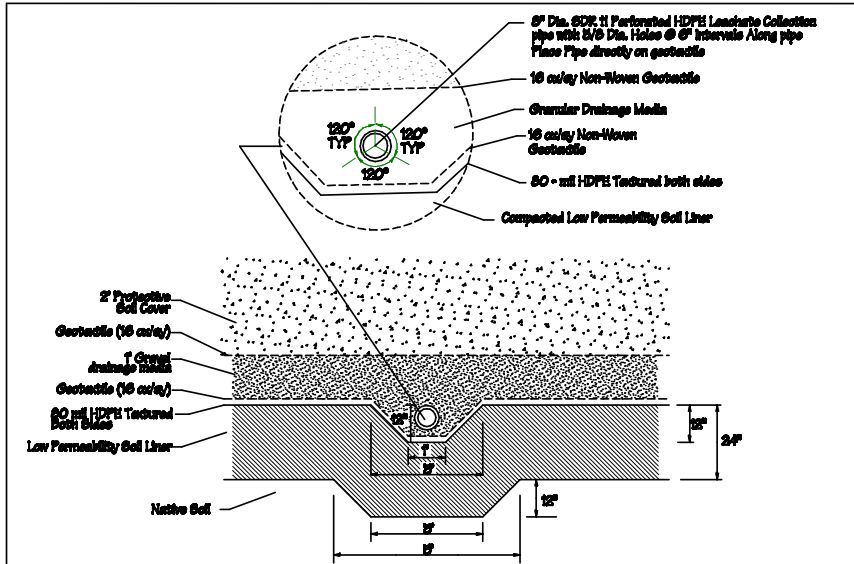
5A
4 7
Phase VA Overlap at Phase IV-A Liner
System Phase V Liner Grade Below
Phase IV-A Liner Elevation



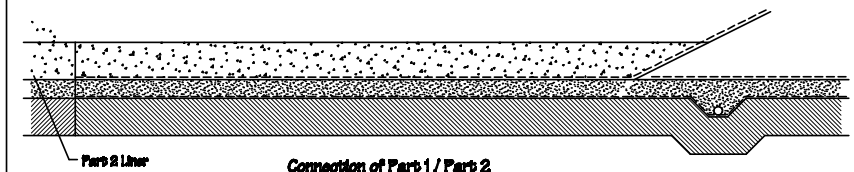
5B
4 7
Phase V Overlap at Phase IV-A Liner System
Phase V Liner Grade Above Phase IV-A
Liner Grades

No.	Revision	Date	By
1	Perimeter Drainage Road Modification	5/15/08	RM

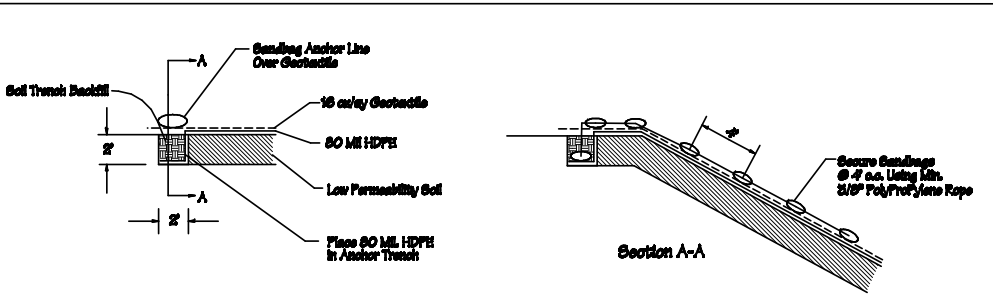
A-Mehr, Inc.
Central Mass Landfill
Phase V-A and Related Improvements
Record Drawings
Liner Details 1



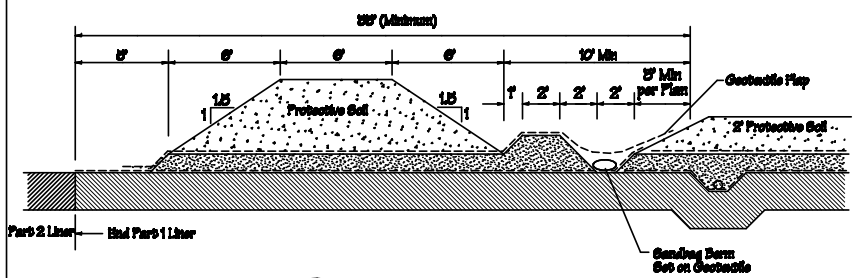
6
4 8
LCRS Trench & Pipe



7
4 8
Temporary Liner Termination at Side Slope



8
8 8
Rain Flap Separation
Part 1 / Part 2



9
8 8
Temporary Completion of Phase V-A Part 1

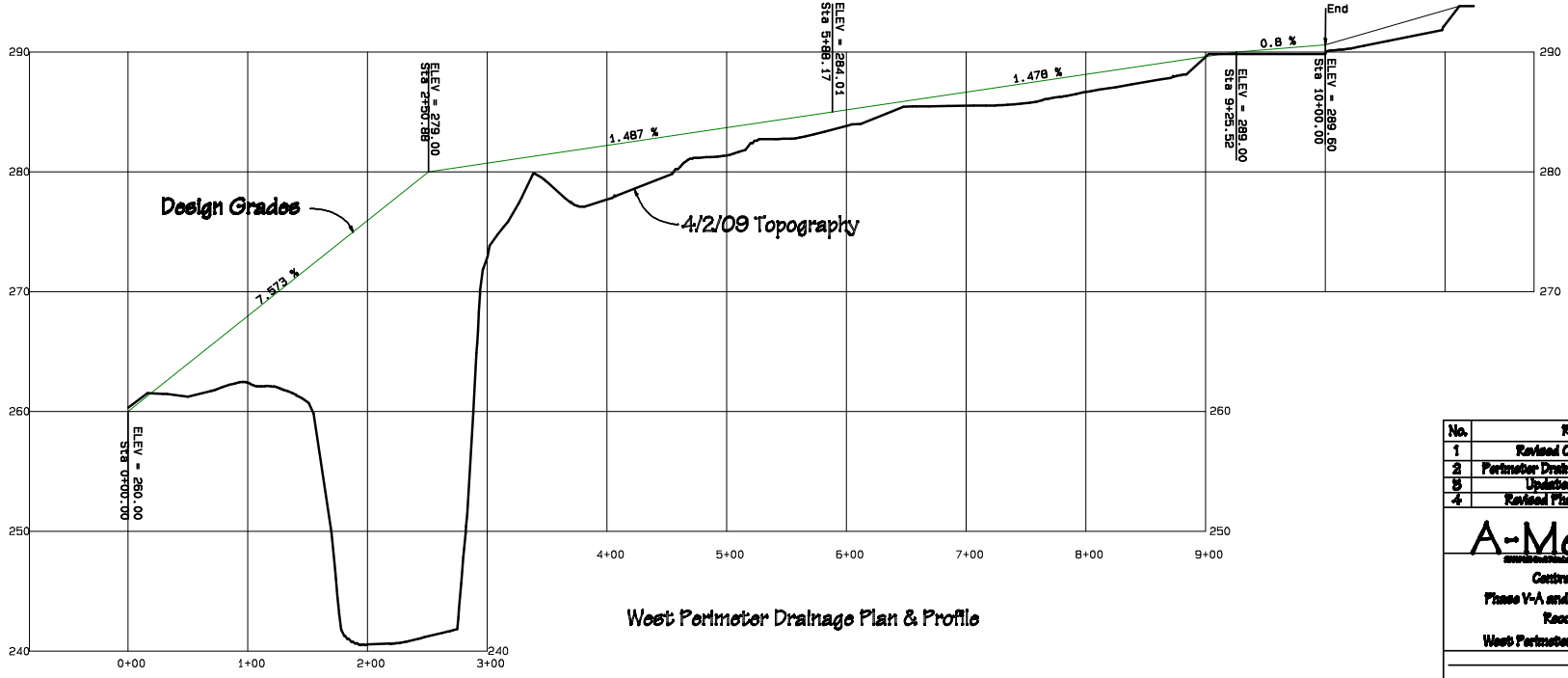
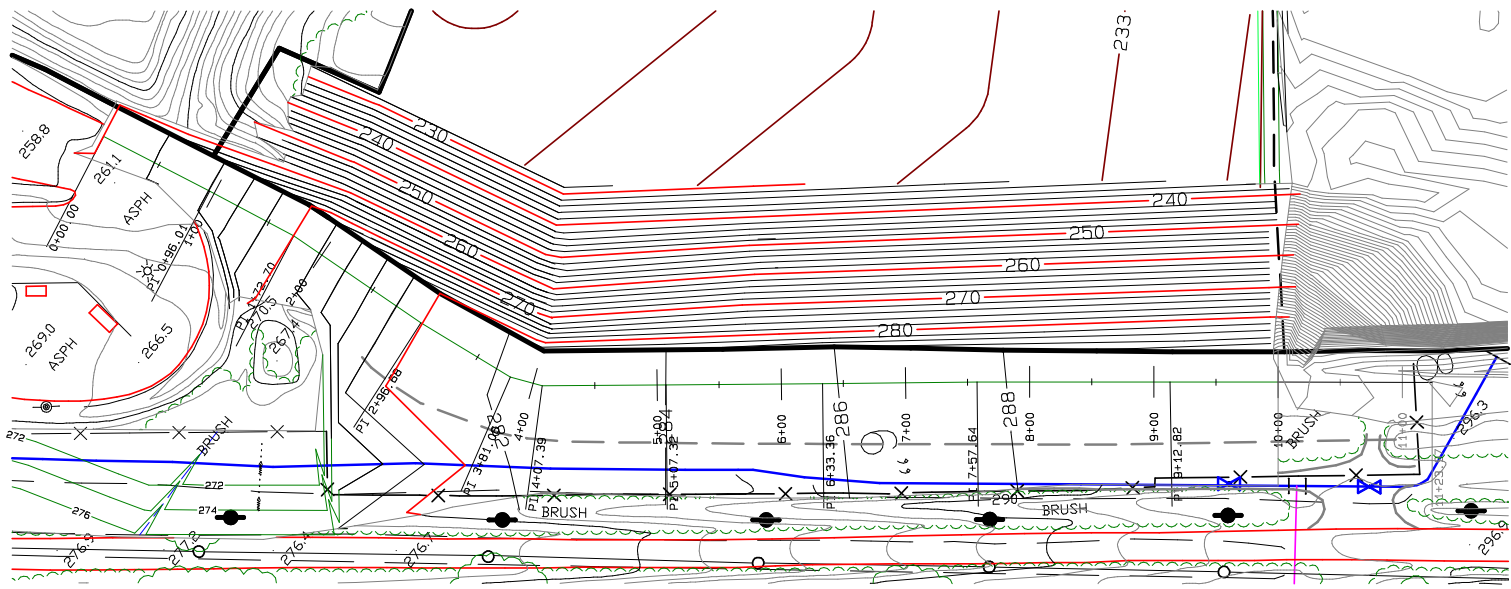
- Connection Notes**
- 1) Remove Sandbags.
 - 2) Fold back Geotextile flap over gravel and push excess gravel into gap to achieve 12" minimum gravel depth.
 - 3) Fold Geotextile flap back over gravel and overlap protective soil.
 - 4) Push excess protective soil over gravel and Geotextile flap to achieve minimum 2" depth of protective soil.

Rain Flap Removal Notes

- 1) Fold back both Geotextiles to expose Rain Flap.
- 2) Cut Rain Flap 12" from weld by remainder flat over liner.
- 3) Lay Cushion Geotextile flat against liner and Part 1 gravel and protective soil.
- 4) Push excess LCRS gravel into space above Rain Flap to achieve continuous 12" layer of gravel.
- 5) Lay Filter Geotextile above LCRS gravel, overlap onto protective soil.
- 6) Push extra protective soil over LCRS gravel and Filter Geotextile.

A-Mehr, Inc.
 Central Mass Landfill
 Phase V-A and Related Improvements
 Record Drawings
 Liner Details 2

No.	Revision	Date	By
1	Revised Rain Flap Location	8/6/08	TJM

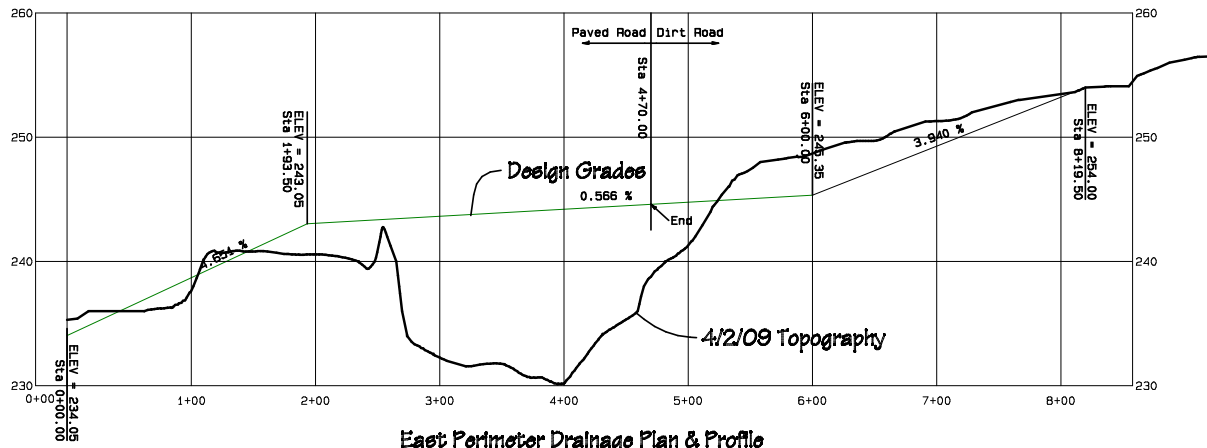
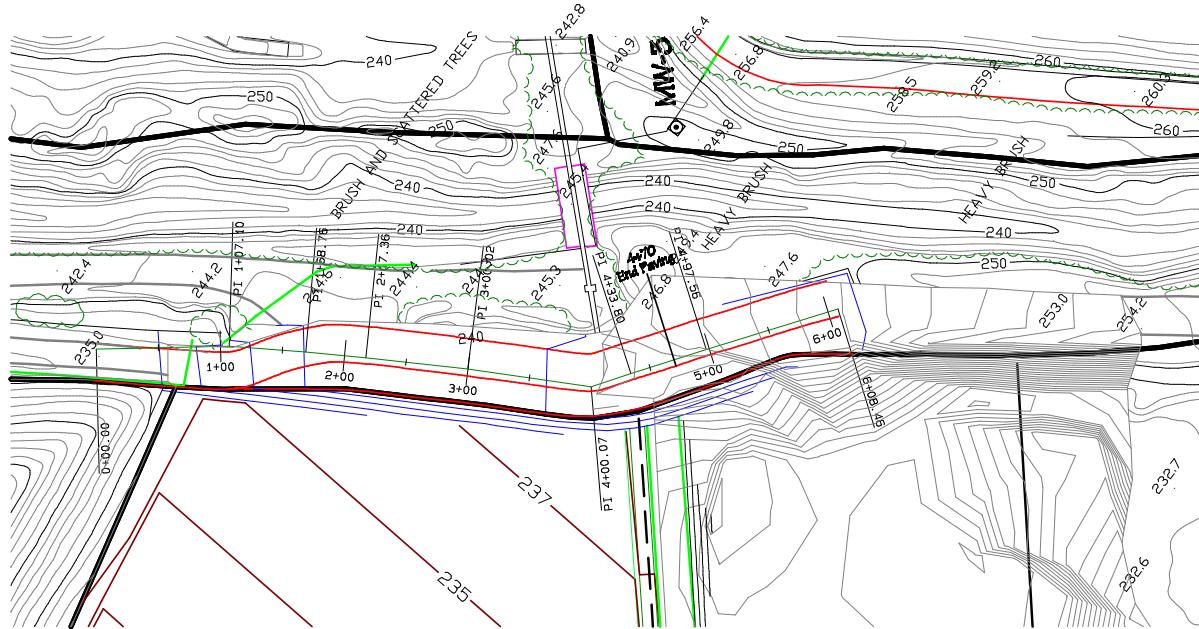


West Perimeter Drainage Plan & Profile

No.	Revision	Date	By
1	Revised Cover Soil Grades	2/10/09	RM
2	Perimeter Drainage Road Modification	8/18/09	RM
3	Updated Topography	8/18/09	RM
4	Revised Phase V-A Linear Limits	8/28/09	RM

A-Mehr, Inc.
 Central Mass Landfill
 Phase V-A and Related Improvements
 Record Drawings
 West Perimeter Drainage Plan & Profile

9

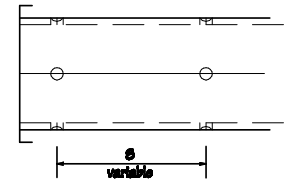
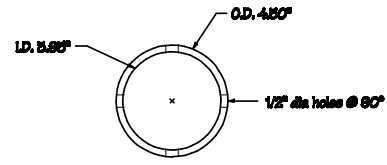
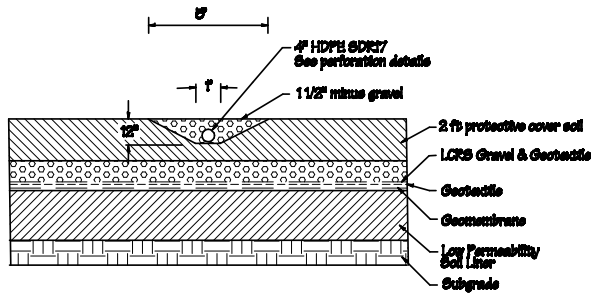


East Perimeter Drainage Plan & Profile

No.	Revision	Date	By
1	Revised Cover Soil Grades	2/10/09	RM
2	Perimeter Drainage Road Modification	8/18/09	RM
3	Updated Topography	8/18/09	RM
4	East Drainage Road Modification	8/18/09	RM
5	East Drainage Road Modification	8/18/09	RM

A-Mehr, Inc.
 Central Mass Landfill
 Phase V-A and Related Improvements
 Record Drawings
 East Perimeter Drainage Plan & Profile

10

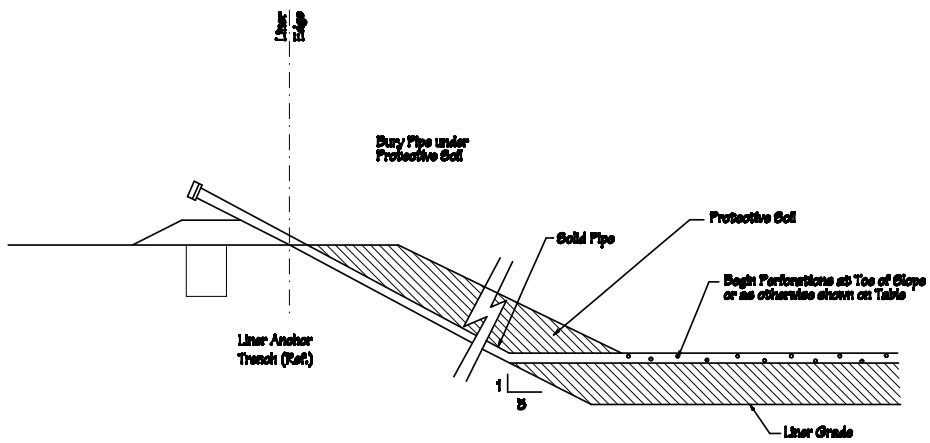


Spacing between holes (1/2 holes @ 80°) shall vary according to distance from toe of slope as shown below

10 Horizontal Gas Collector
BA 11

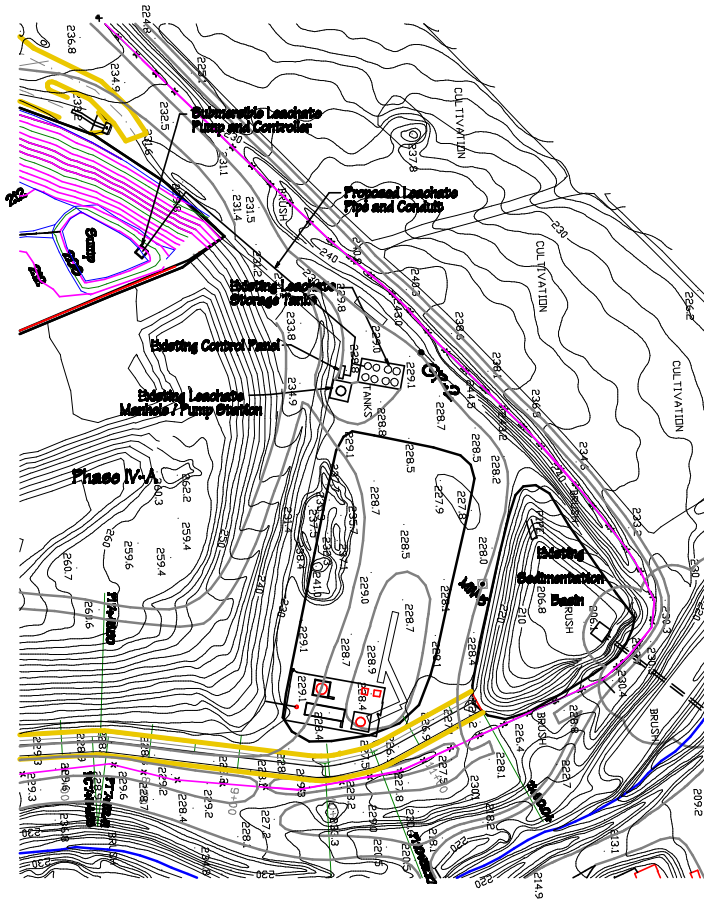
PERFORATION INTERVALS - MEASURED FROM TOE OF SLOPE

Collector No.	C1	C2	C3	C4	C5	C6	C7
Total Length on Floor	388	370	380	388	480	408	388
No Perforations	From 0	0	0	0	0	0	0
	To 50	50	50	0	0	0	0
Total Perforated Length	348	320	290	388	480	408	388
Spacing S = 20"	From 50	50	50	0	0	0	0
	To 150	150	150	120	150	120	120
Spacing S = 15"	From 150	150	150	120	150	120	120
	To 220	210	190	200	220	200	200
Spacing S = 8"	From 220	210	190	200	220	200	200
	To 280	270	250	280	300	280	280
Spacing S = 6"	From 280	270	250	280	300	280	280
	To 340	320	290	340	370	340	340
Spacing S = 3"	From 340	320	290	340	370	340	340
	To 388	370	350	388	480	408	388

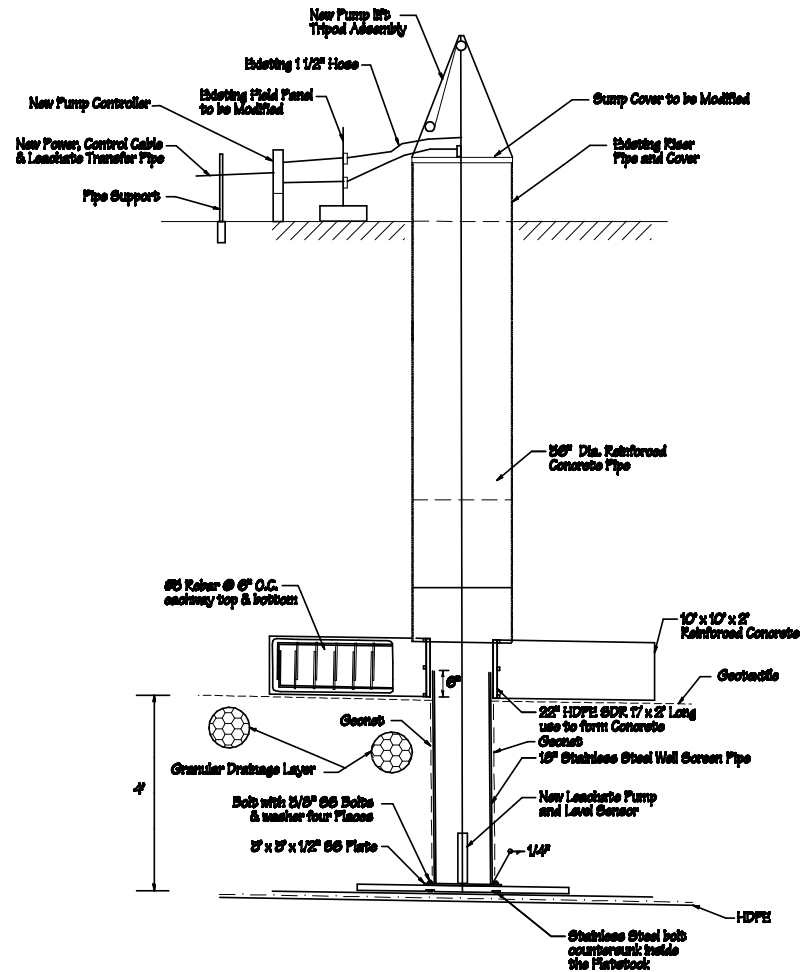


11 Gas Collector Termination (Typical)
BA 11

No.	Revision	Date	By
1	Revised Rain Flap & Collector Locations	8/21/08	RM
A-Mehr, Inc. <small>www.a-mehr.com</small> Central Mail Limited Phase V-A and Related Improvements Record Drawings Horizontal Gas Collector Details			
			11

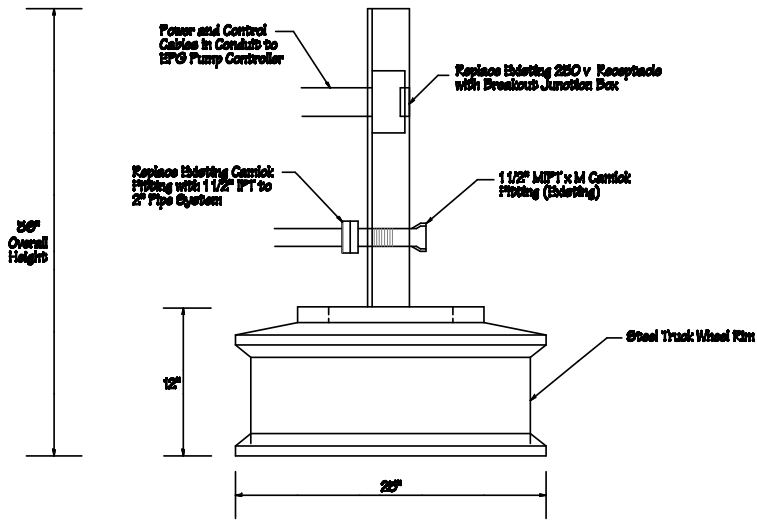


General Plan and Layout



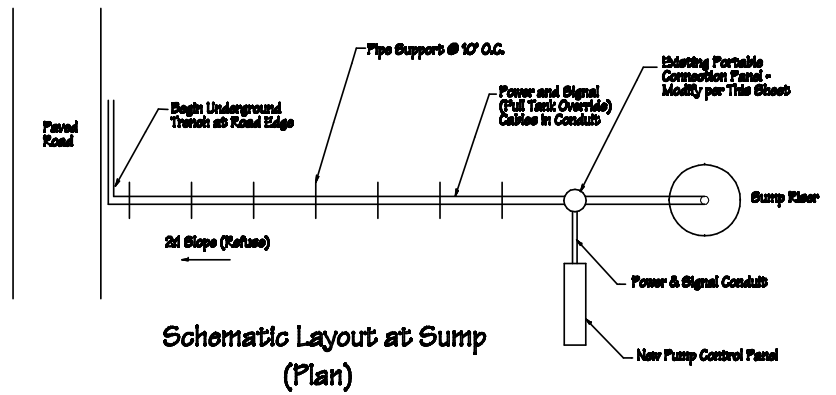
Exiting LCRS Riser Detail with Proposed Modifications
Pump Installation
(Not to Scale)

A-Mehr, Inc.		PROJECT MAGNIN 201901 001
Central Mini Landfill Phase IV-A and Related Improvements Revised Drawings		DATE 6/27/08
Phase IV-B Pump Leachate Handling System Existing Topography Grades as of 6/28/08		SHEET 12

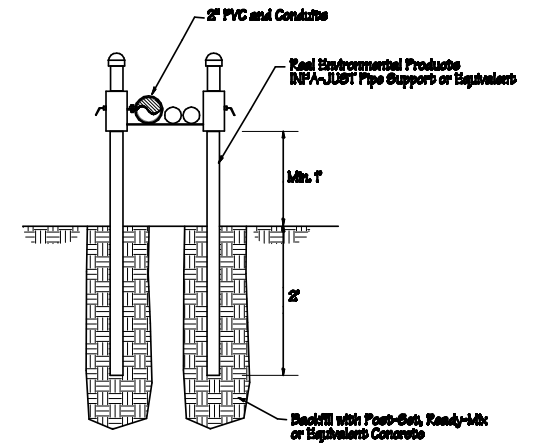


Existing Leachate Pumping Portable Connection Panel

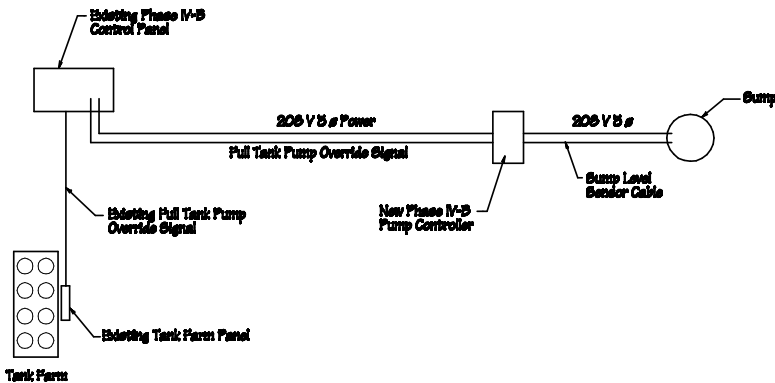
Scale: 1" = 10"



Schematic Layout at Sump (Plan)



Above-Ground Pipe Support



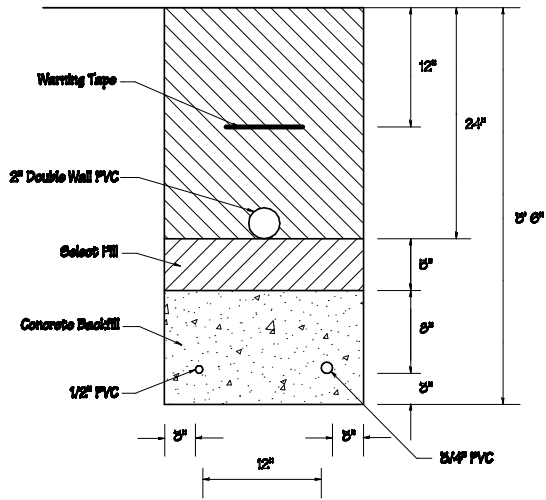
System Control Schematic

Acceptable Equipment (Equals Accepted on Review)	
Vertical Pump	EPG Series 8 Core Pump Model 8-7 - 21" P
Level Sensor	EPG Level Master Pressure Sensor
Breakout Junction Box	EPG
Controller	EPG Pump Master Station: 80 Control Panel

* EPG Companies, Inc. Maple Grove, MN

A-Mehr, Inc.		PROJECT NUMBER SHEET DATE
Central Man Lattfill Phase V-A and Related Improvements Record Drawings Leachate Handling System Details 1		DATE BY CHECKED
		25

Service	Conductor	Conduit
Power 208	3 @ 10 GA Insul.	3/4" PVC
Signal	2 @ 12 GA.	1/2" PVC

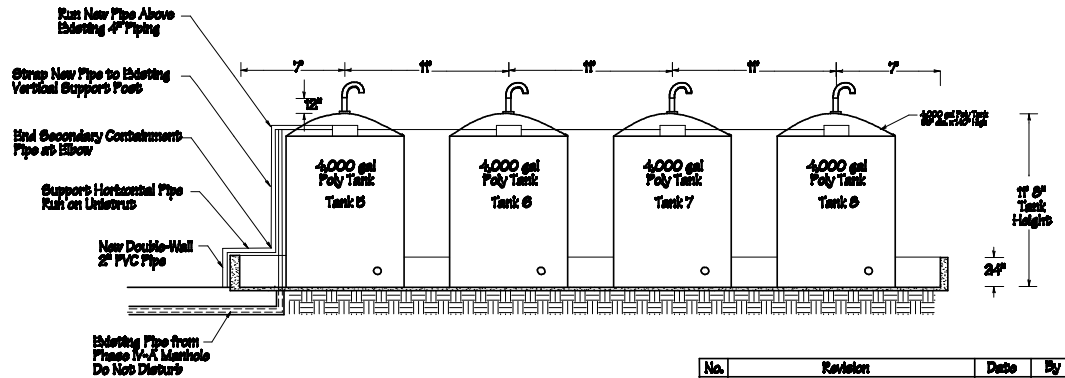
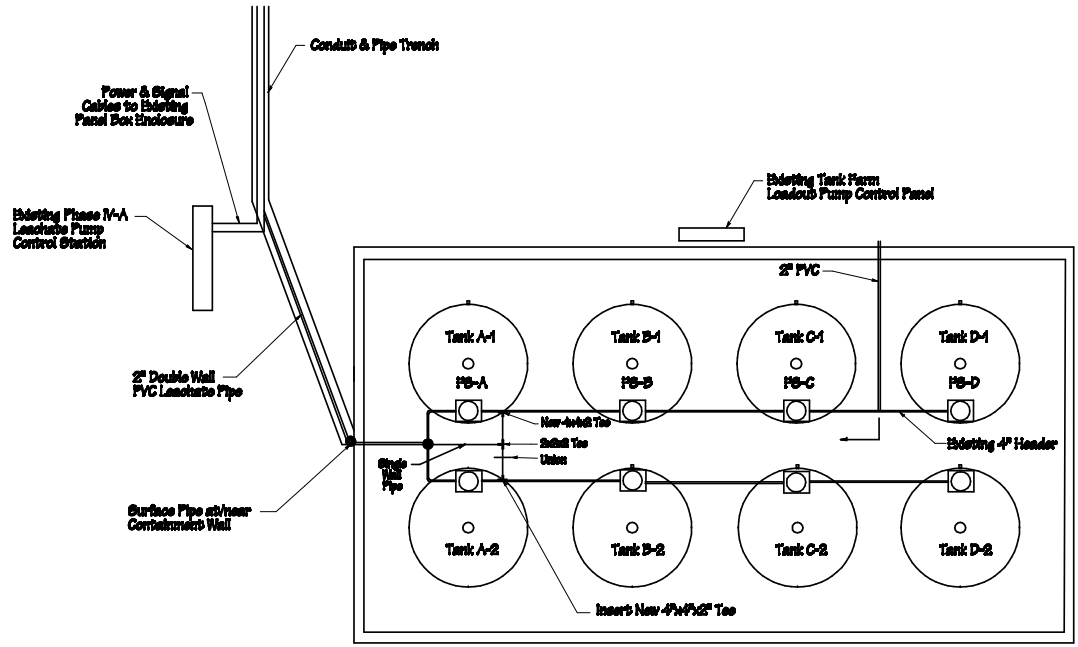


Trench & Conduit Detail

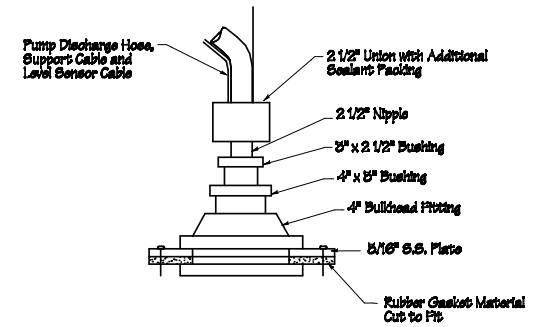
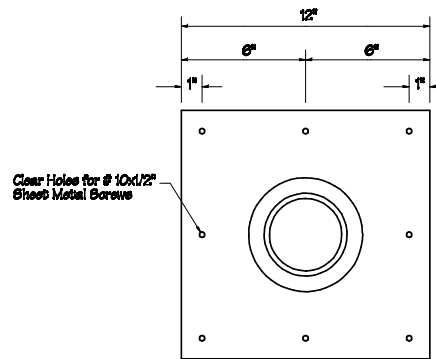
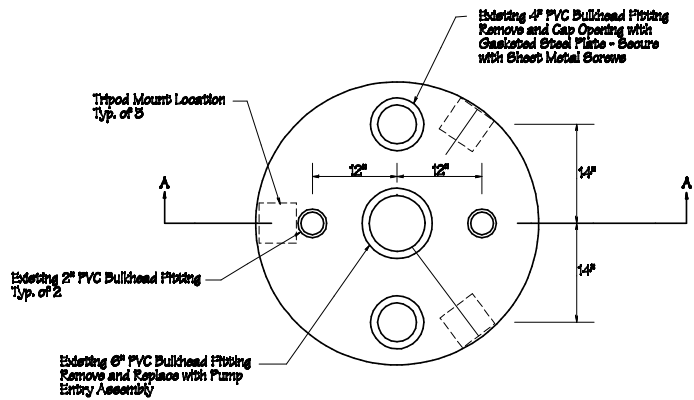
Pump Control Notes

1. Install new Phase IV-B pump controller at Phase IV-B sump control enclosure.
2. Supply 208 V 3-Phase power from within existing Phase IV-A pump control enclosure.
3. Locate existing relay that overrides Phase IV-A lead pump based on signal from Flow Switch FSD in Tank D (shuts down pump when Tanks D1 and D2 are full). Connect control-side signal input terminals of relay to new Phase IV-B pump controller to keep new Phase IV-B pump from operating when Tanks D1 and D2 are full.
4. Set Phase IV-B sump level control level set points as follows, with datum at bottom of sump (approximately 206 ft. MSL):

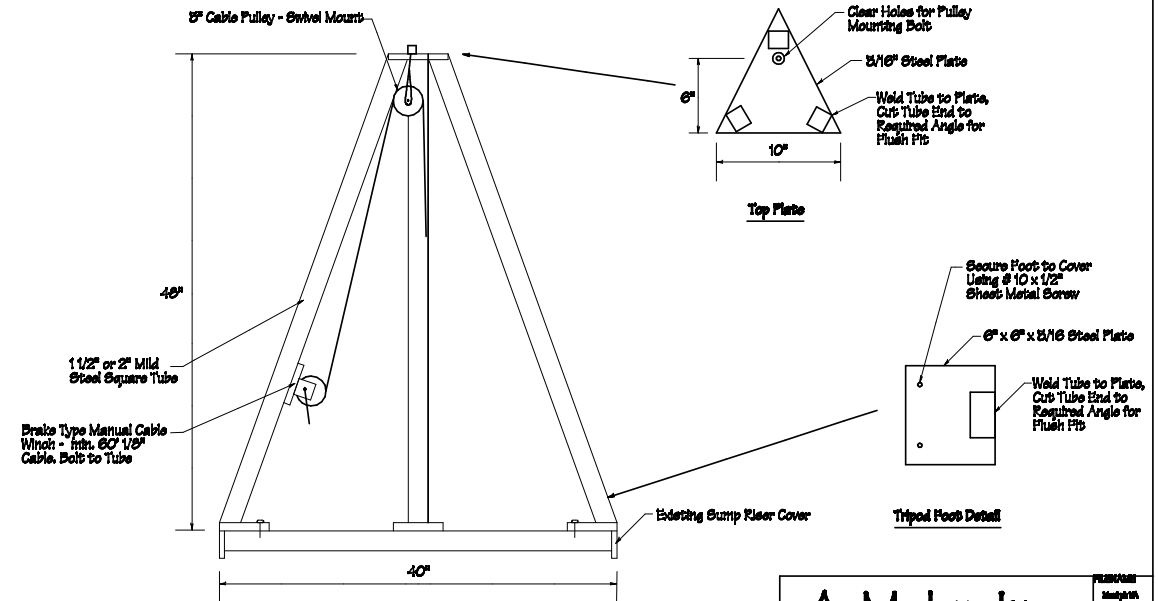
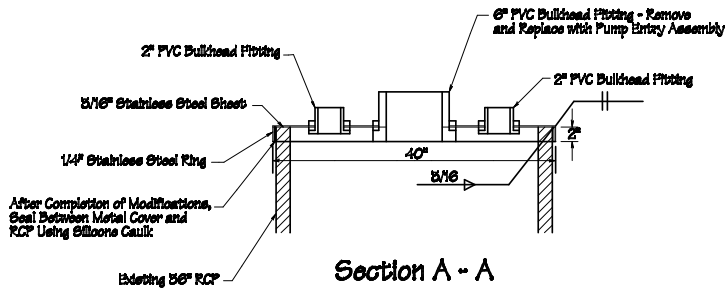
Pump On	24 in.
Pump Off	10 in.
Alarm	36 in.



No.	Revision	Date	By
1	Sketch SK-1 Revised Piping Detail	7/2/10	RM
A-Mehr, Inc. Central Metal Lathe Phase IV-A and Related Improvements Record Drawings Leachate Handling System Details 2			
			14



Pump Entry Assembly



Pump Tripod Assembly - Coat with Rust Resistant Primer and Paint

<h2 style="margin: 0;">A-Mehr, Inc.</h2> <p style="font-size: small; margin: 0;">Central Mill Landfill Phase V-A and Related Improvements Record Drawings Leachate Handling System Details B</p>	PROJECT NUMBER 001
	DATE 07/10
	DRAWN 07/10
	CHECKED 07/10
	SCALE AS SHOWN

Central Maui Landfill Puunene, Hawaii

Phase IV-B Disposal Cell and Drainage Improvements

As-Built Condition

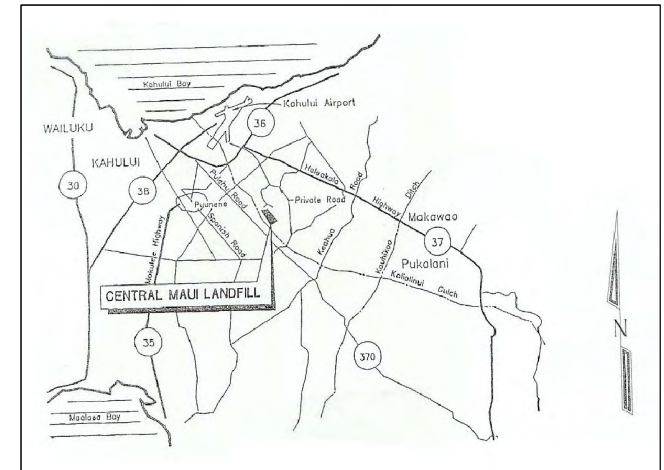
Prepared by:

A-Mehr, Inc.
23016 Mill Creek Drive
Laguna Hills, CA 92653
(949) 206-0157

February 8, 2007

This work was prepared by me
 or under my supervision

Sheet Number	Sheet Title
1	Cover Sheet
2	Site Map
3	Expansion Liner Grades
4	Key Plan
5	West Enlarged Plan
5A	West Drainage Road Plan and Profile
6	East Enlarged Plan
7	Liner Details 1
8	Liner Details 2
9	Liner Tie-in Details
10	Drainage Details
11	Road Details
12	East Perimeter Drainage Profile
13	East Perimeter Drainage Details
14	Sedimentation Basin Discharge Structure
15	Details
16	Rain Flap Installation
17	Leachate Lagoon Demolition Plan



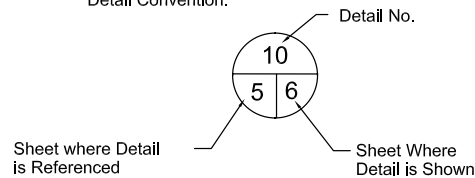
Vicinity Map

Project Engineer:

Ali Mehrazarin, P.E.

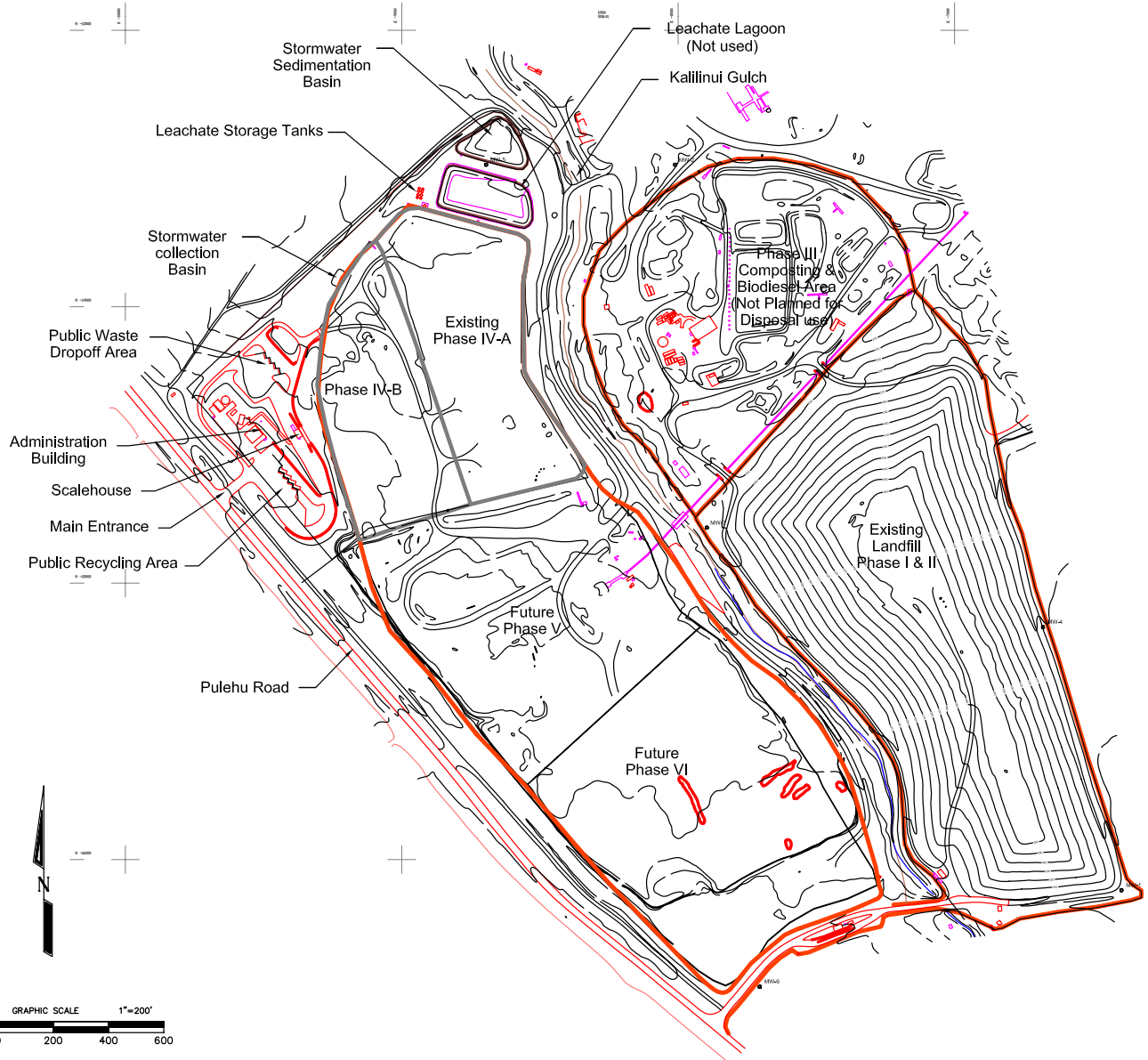
Date

Detail Convention:

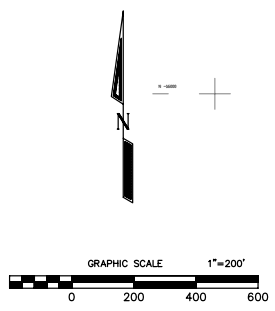


Owner:

County of Maui
Department of Public Works
Solid Waste Division
220 Main Street, Suite 225
Wailuku, Hawaii 96793



Note:
 (1) Existing Topography Based on Aerial Survey By Walker & Associates Dated 1/18/06



A-Mehr, Inc. <small>20111 Old Cross Street, Laguna Hills, California 92653 (949) 266-0157</small>		FILENAME
		150419110
Central Maui Landfill		DRAWN
		RM
Phase IV-B Part 1&2 Construction Plans Site Map		CHECKED
Existing Topography Grades as of 1/18/06		DATE
		6/30/06
Existing Topography Grades as of 1/18/06		FIGURE
		2