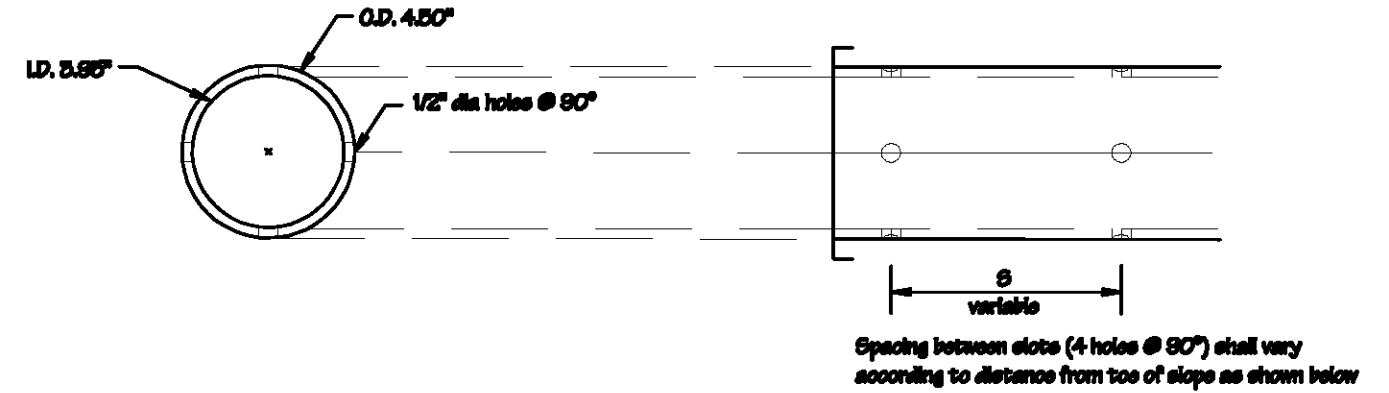
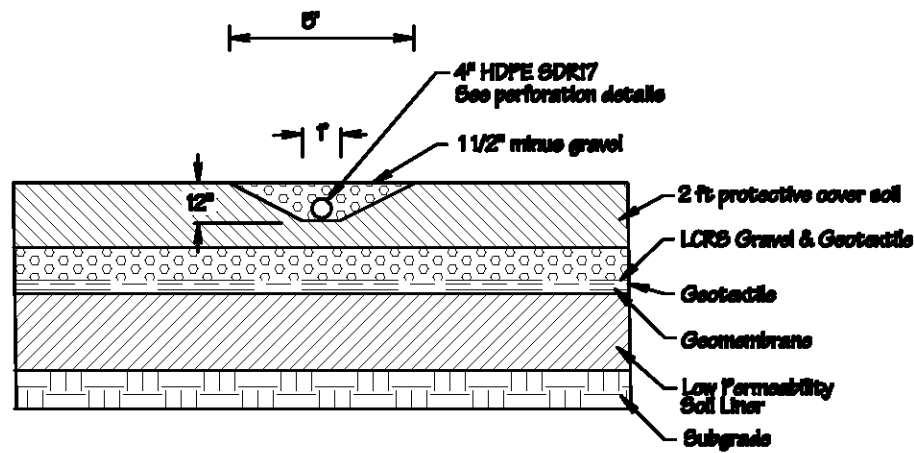


West Perimeter Access Drainage Plan & Profile



<b>A-Mehr, Inc.</b> <small>2000 W. Puuoaia Dr., Honolulu, HI 96819</small> <b>Central Maui Landfill</b> <b>Phase V-B Extension And Related Improvements</b> <b>Record Drawings</b> <b>West Perimeter Drainage Plan &amp; Profile</b>	<small>PROJECT NO.</small> 15-0001
	<small>DATE</small> 1/12/17
	<small>SCALE</small> AS SHOWN
	<small>FIGURE NO.</small> 15



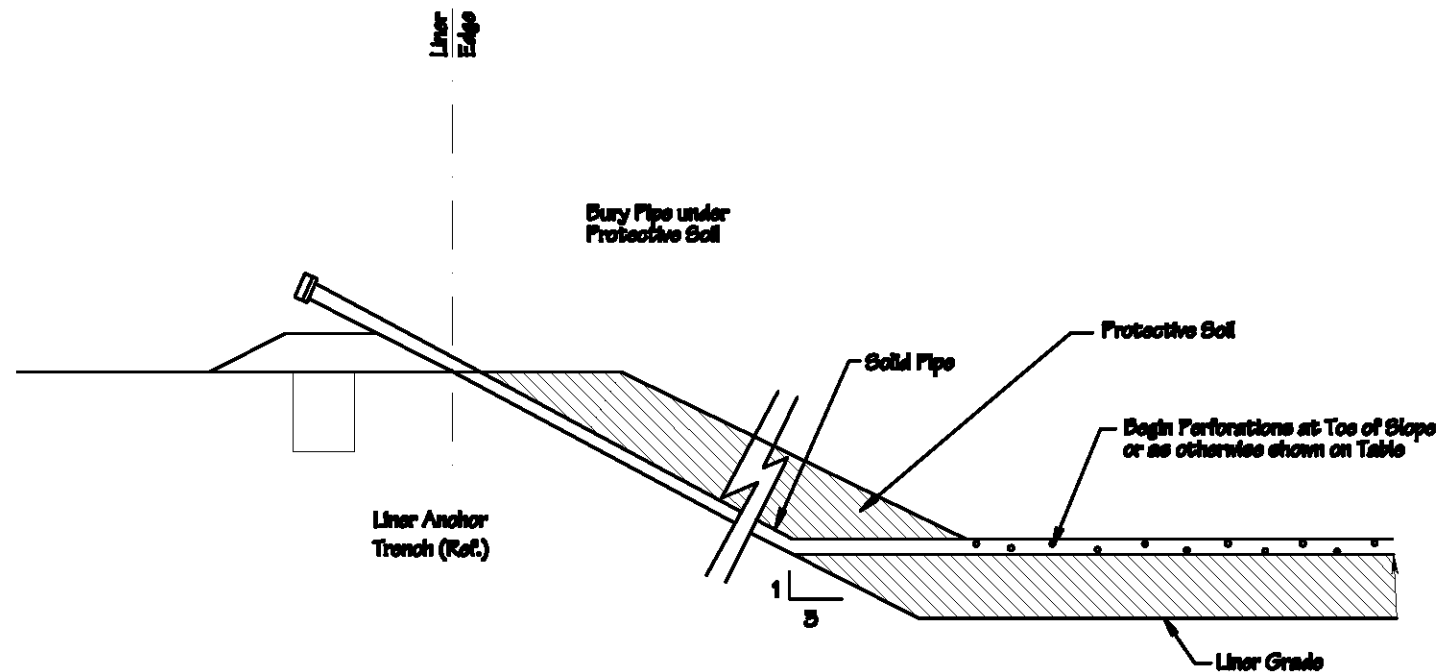
4" HDPE SDR 17 Perforation Details

8 Horizontal Gas Collector  
7/14

Gas Collector Perforation Intervals - Measured From Toe Of Slope

Collector No.	C14	C15	C16	C17
Total Length on Floor	365	360	365	360
No. Perforations	From**	0	0	0
	To	50	50	0
Total Perforated Length	315	310	365	360
Spacing S = 20"	From	50	50	0
	To	140	139	110
Spacing S = 13"	From	140	139	108
	To	210	207	180
Spacing S = 8"	From	210	207	178
	To	270	267	256
Spacing S = 5"	From	270	267	256
	To	320	316	306
Spacing S = 3"	From	320	316	306
	To	365	360	360

\*\* - Distance zero represents the toe of slope as illustrated on Sheet 7; location where steeper side slope transitions to the flatter floor slope along the gas collector pipe horizontal run.



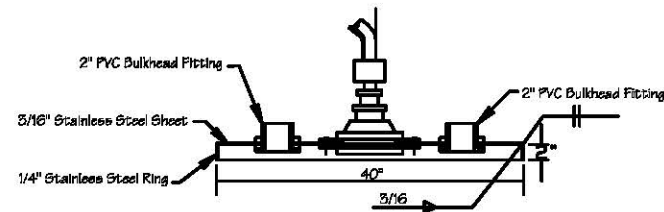
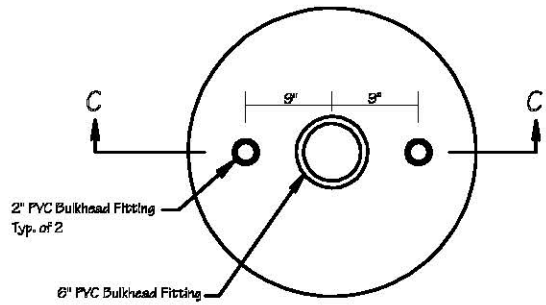
9 Gas Collector Termination (Typical)  
7/14



No.	Revision	Date	By
1	Revise Proposed Gas Collectors	12/13/17	KM
<b>A-Mehr, Inc.</b> Central Maui Landfill Phase V-B Extension And Related Improvements Record Drawings Horizontal Gas Collector Details			
			14

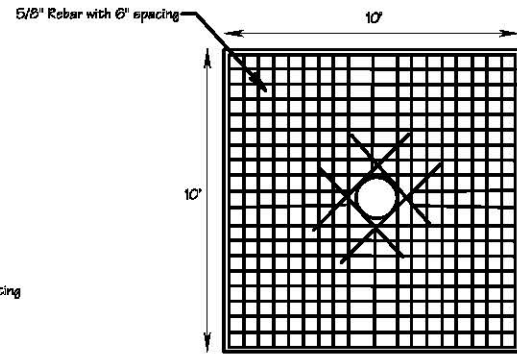
Control Points of LCRS Sump and Berm

Name	North	East	Elev
SB-1	-15242.8668	-7883.4419	223.00
SB-2	-15272.0826	-7862.7824	223.00
SB-3	-15350.0728	-7954.6339	223.00
SB-4	-15349.1457	-8023.0877	223.00
ST-1	-15229.0406	-7881.9924	227.00
ST-2	-15274.2687	-7852.9970	227.00
ST-3	-15356.6932	-7950.0708	227.00
ST-4	-15348.4917	-8035.4378	227.00
SC-1	-15243.2029	-7884.4621	222.50
SC-2	-15249.7275	-7892.0066	222.50
SC-3	-15257.3141	-7883.4321	222.50
SC-4	-15250.7579	-7877.8902	222.50
STE-1	-15217.3467	-7880.3652	228.00
STE-2	-15300.7756	-7829.4531	228.00
STE-3	-15383.6139	-7927.0144	228.00
STE-4	-15362.3817	-8070.9345	228.00

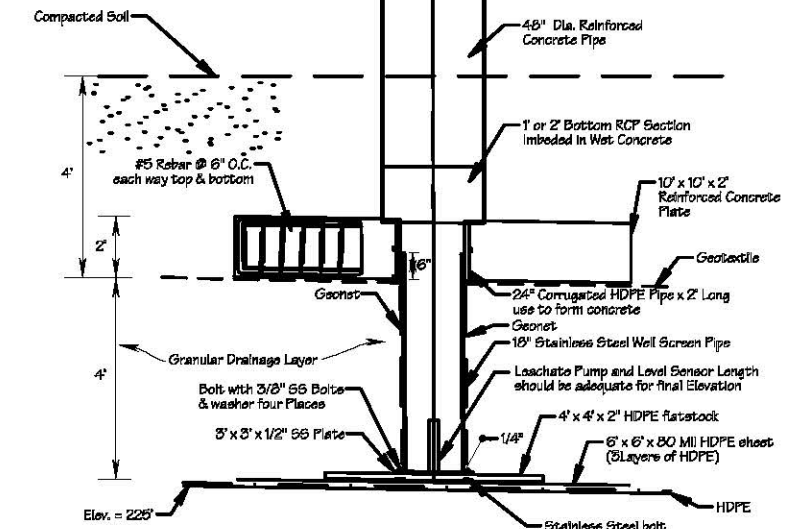
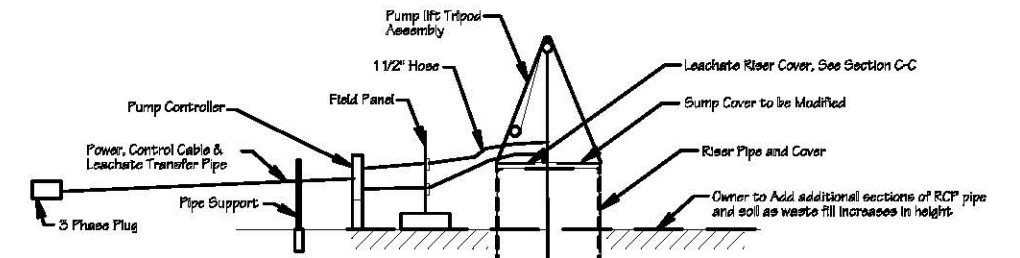


Section C - C

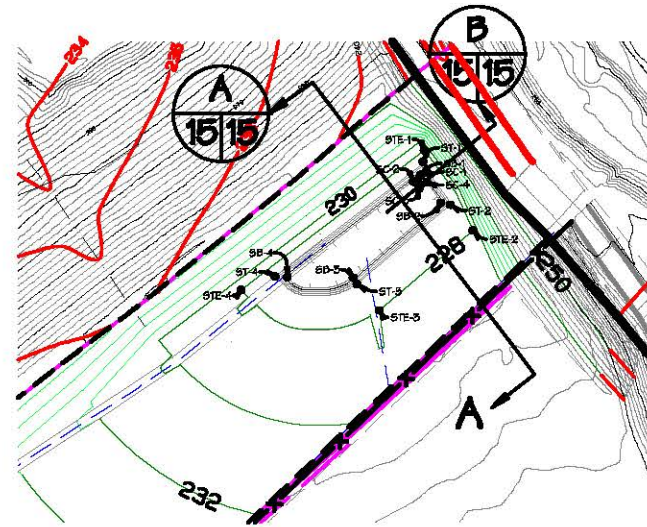
Leachate Riser Cover Details



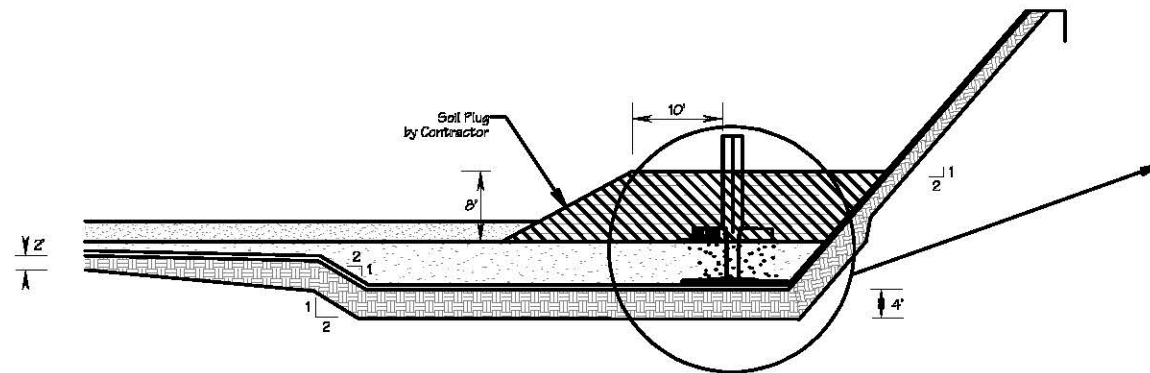
Reinforced Concrete Plate  
Rebar Detail  
(Plan View)



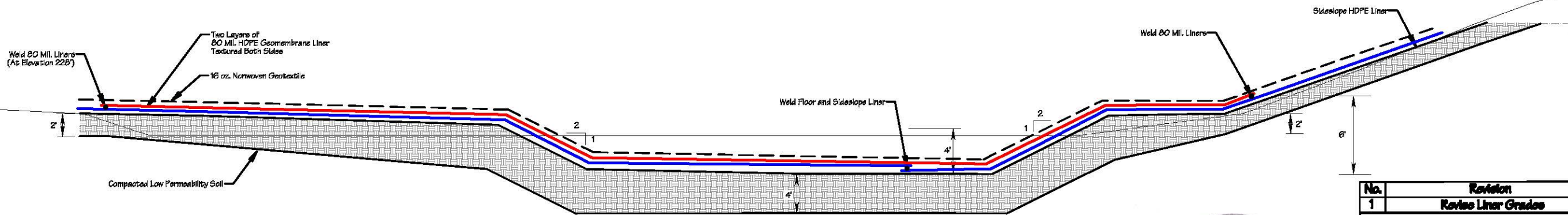
LCRS Riser Detail  
(Not to Scale)



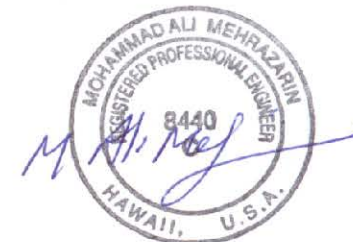
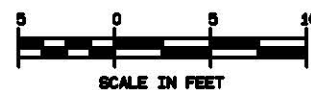
10  
5/15 New LCRS Sump



B  
15/15 New LCRS Sump and Berm with  
Initial Soil Plug

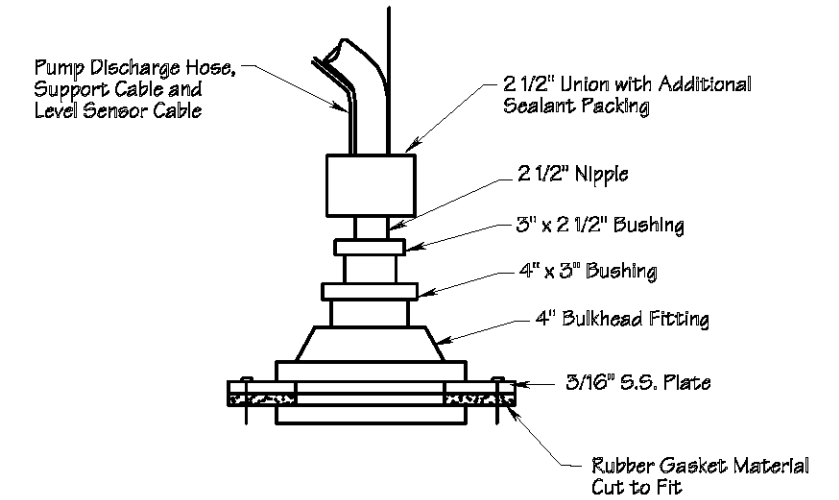
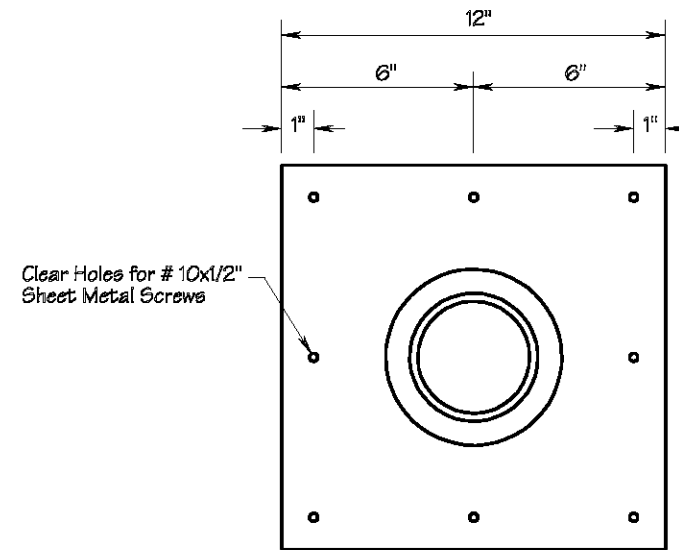
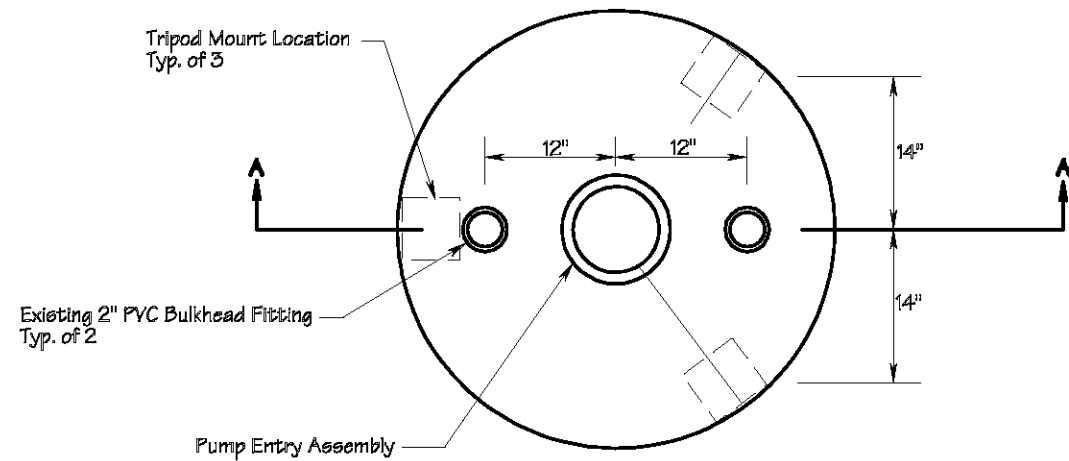


Section A-A Leachate Collection Sump (Profile)



No.	Revision	Date	By
1	Revise Liner Grades	5/1/17	RM

**A-Mehr, Inc.**  
Central Maui Landfill  
Phase V-B Extension And Related Improvements  
Record Drawings  
Leachate Sump Detail



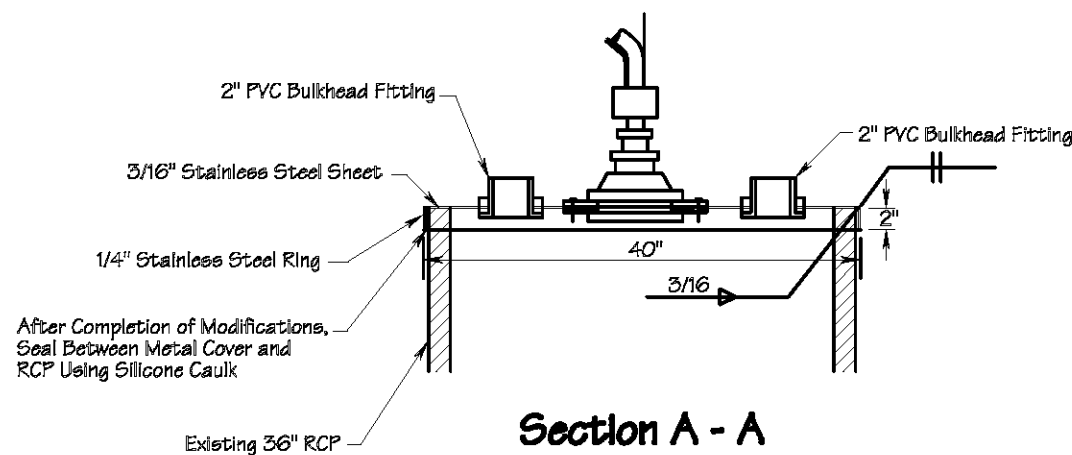
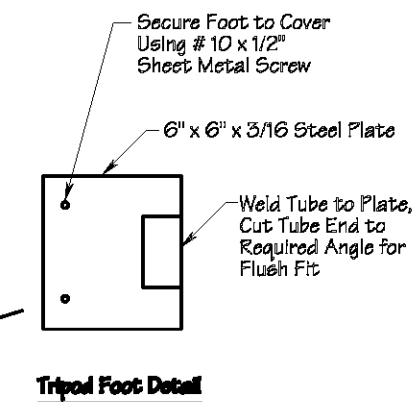
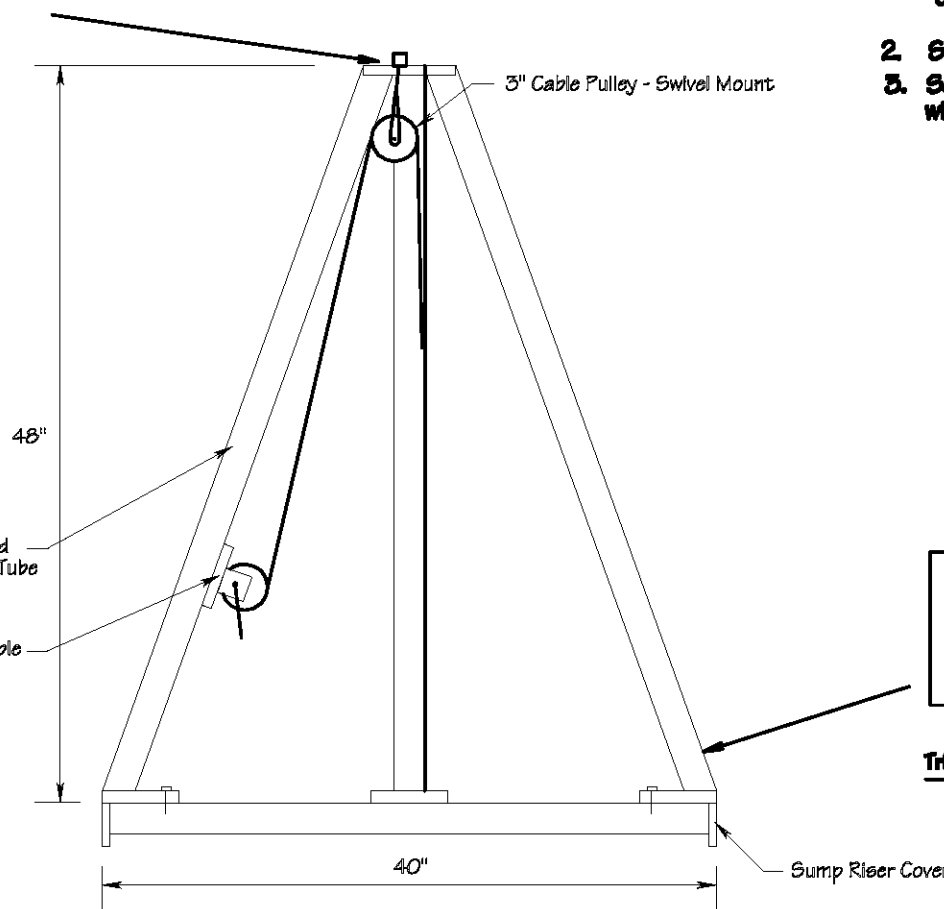
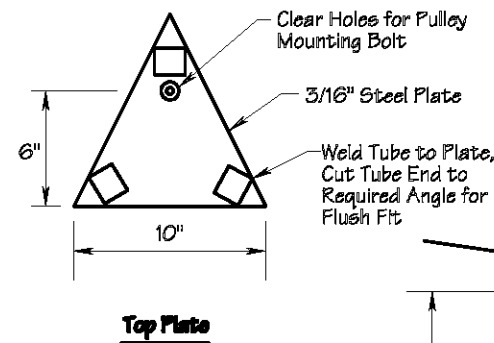
### Pump Entry Assembly

#### Sump Notes

1. Install new Phase V-B Extension pump controller at Phase IV-B sump control enclos.
2. Supply 208 V 3-Phase power and Plug control enclosure.
3. Set Phase V-B Extension sump level control level set points as follows, with datum at bottom of sump (approximately 225 ft. MSL):

Pump On	24 in.
Pump Off	10 in.
Alarm	36 in.

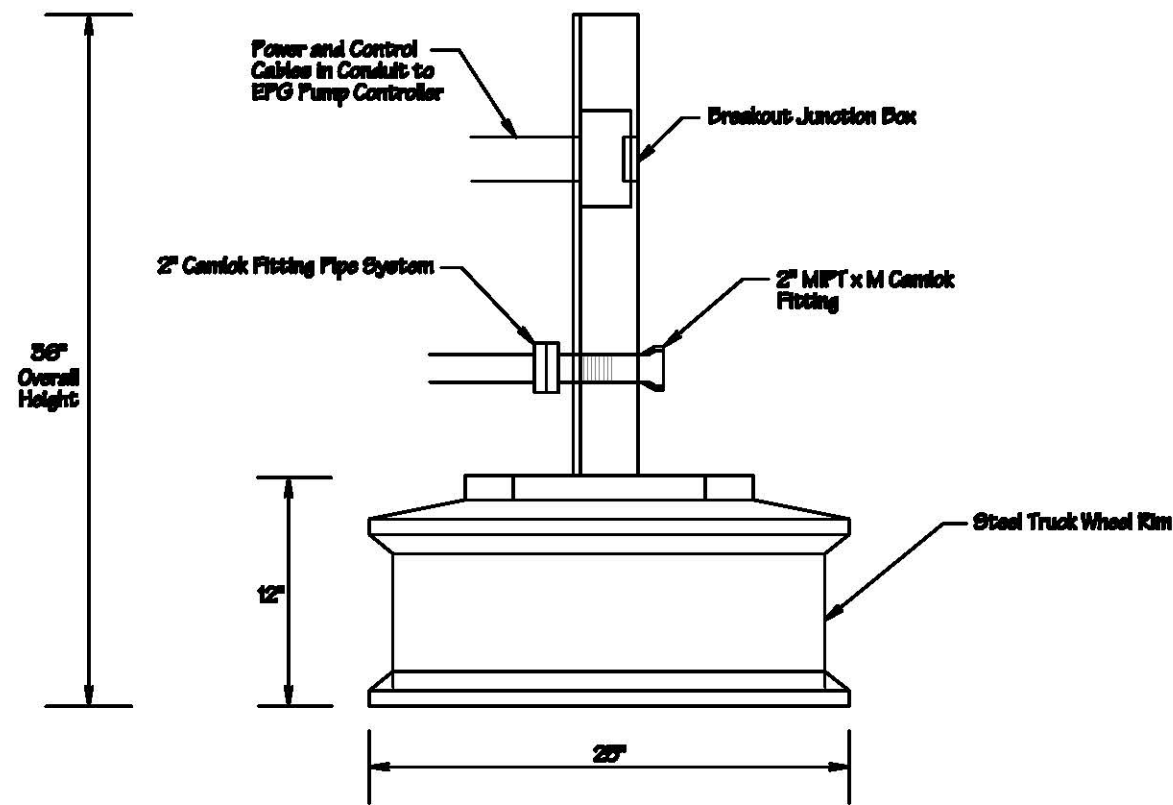
Service	Conductor	Conduit
Power 208	3 @ 10 GA Insul.	3/4" PVC
Signal	2 @ 12 GA.	1/2" PVC



**Pump Tripod Assembly - Coat with Rust Resistant Primer and Paint**

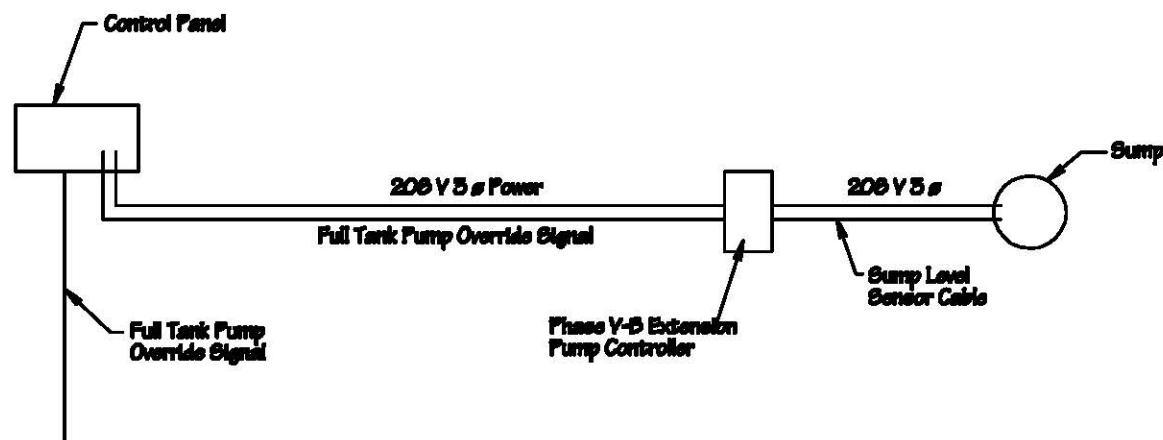
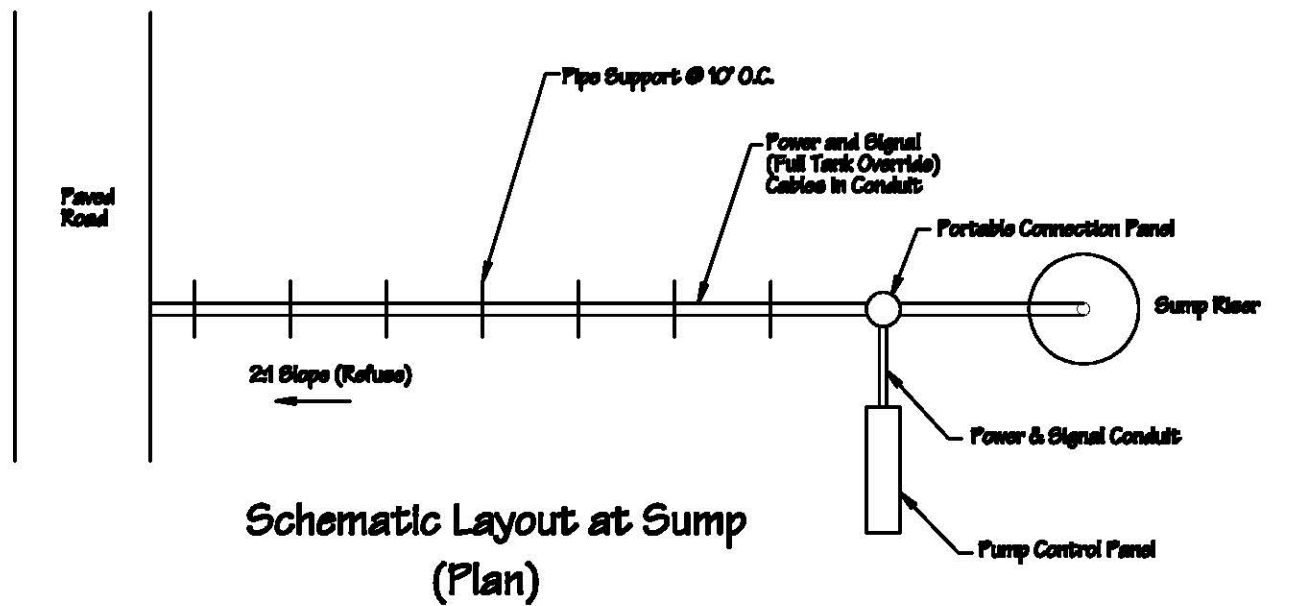


<b>A-Mehr, Inc.</b>		PROJECT
Central Maui Landfill		DATE
Phase V-B Extension And Related Improvements		7/17/17
Record Drawings		FIGURE
Leachate Handling System Details 1		
		18

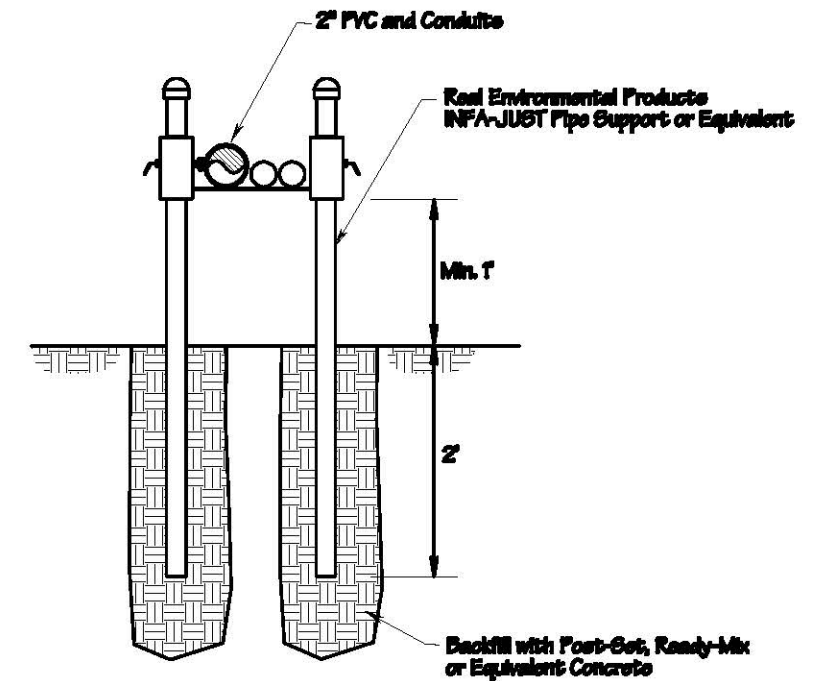


**Leachate Pumping  
Portable Connection Panel**

Scale: 1" = 10"



**System Control Schematic**



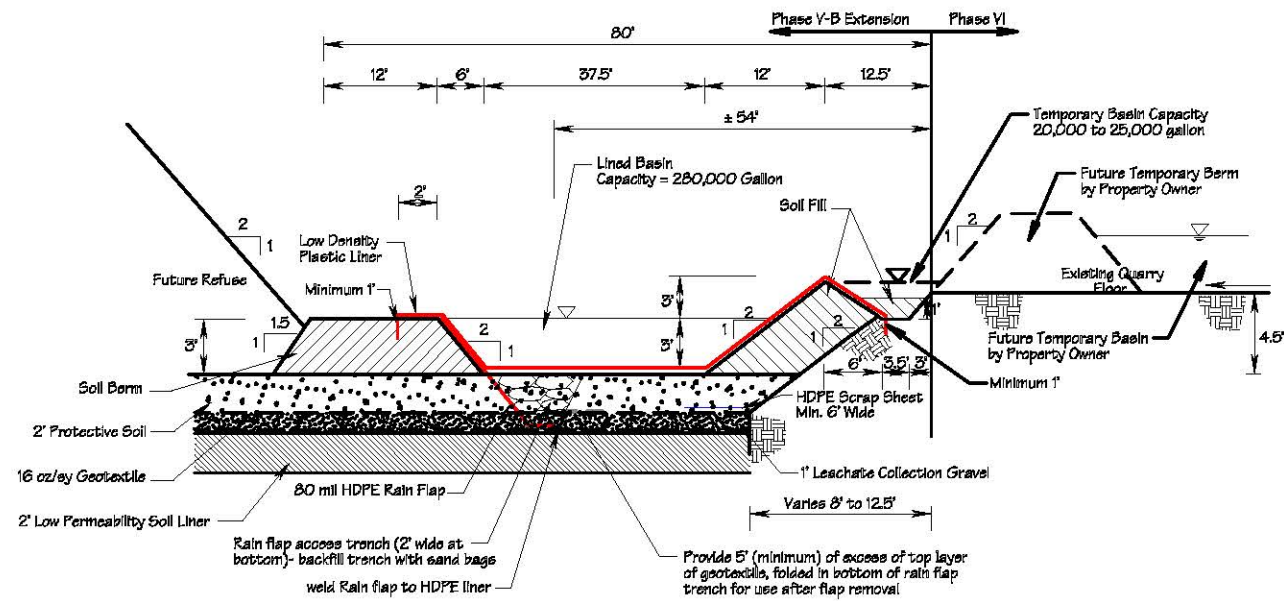
**Above-Ground Pipe Support**

Acceptable Equipment (Equals Accepted on Review)	
Vertical Pump	EPG <sup>®</sup> Series 5 Sure Pump Model 6-7 - 2HP
Level Sensor	EPG Level Master Pressure Sensor
Breakout Junction Box	EPG
Controller	EPG Pump Master Simplex 50 Control Panel

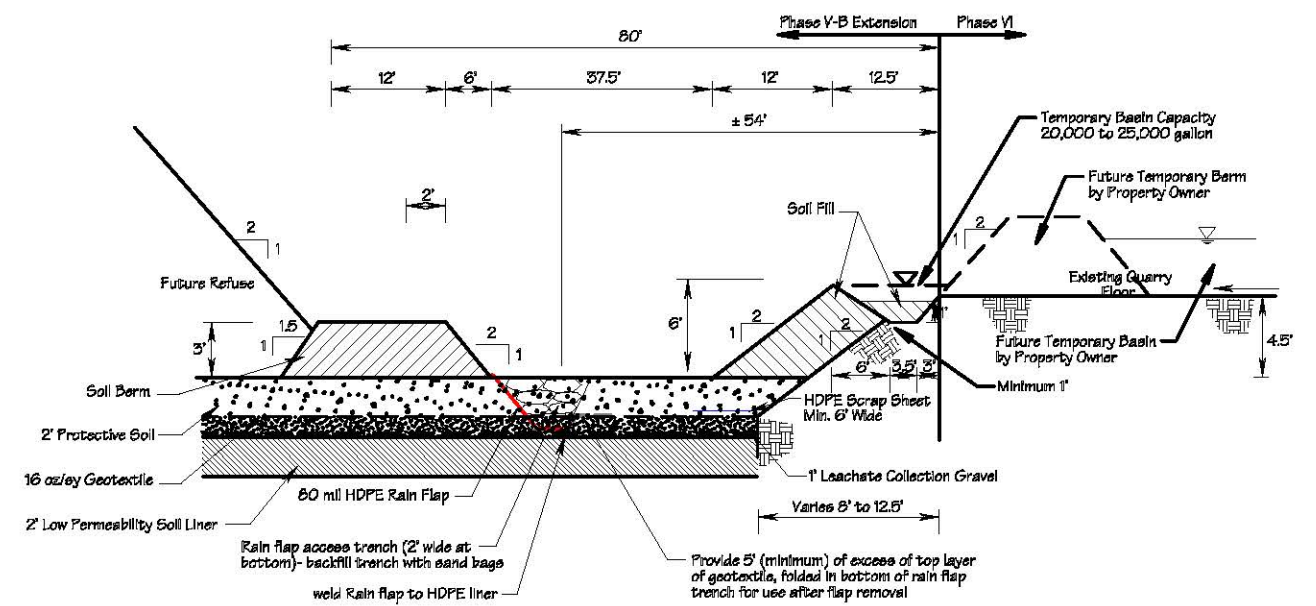
\* EPG Companies, Inc. Maple Grove, MN



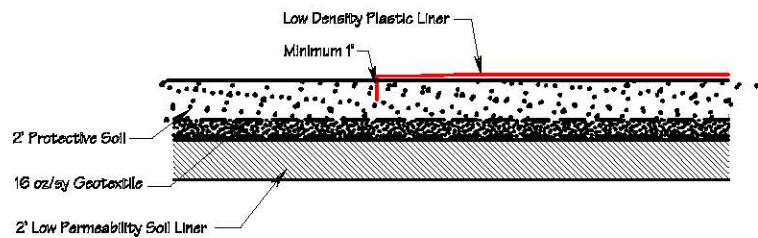
<b>A-Mehr, Inc.</b>		REVISION
Central Maui Landfill		Issue # 10 10
Phase Y-B Extension And Related Improvements		PROJ#
Record Drawings		GM
Leachate Handling System Details 2		CHECKED
		DRAWN
		7/10/17
		FIGURE
		17



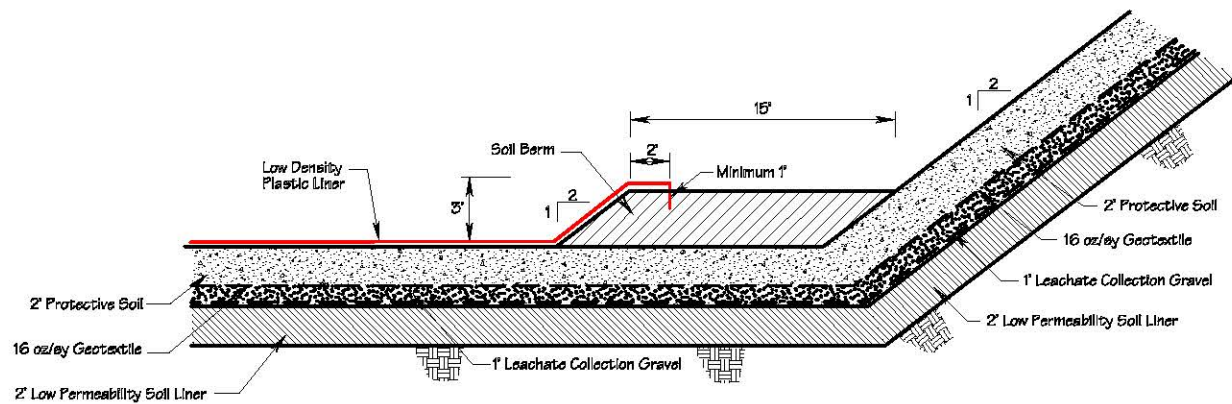
**11**  
Phase V-B Extension Temporary Liner Termination, Berm and Basin (As-Built)



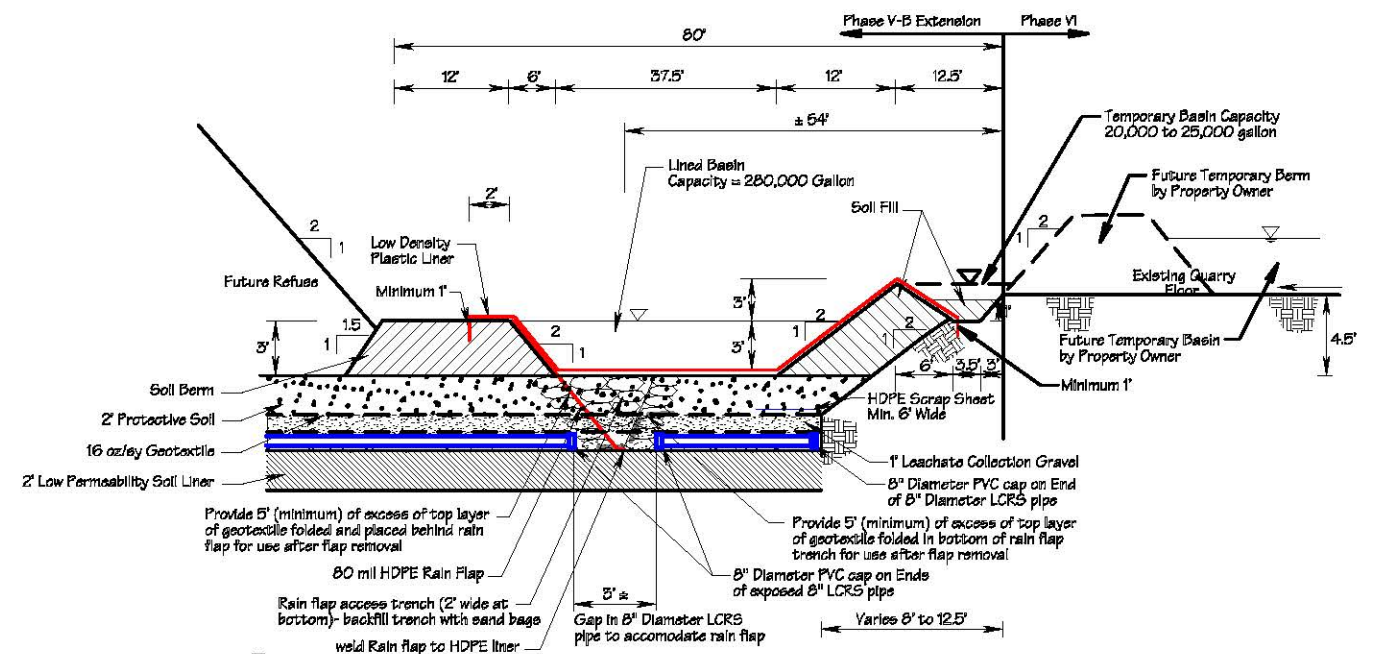
**11A**  
Phase V-B Extension Temporary Liner Termination and Berm (outside limits of lined Basin) (As-Built)



**11B**  
Phase V-B Extension Temporary Basin Liner Anchor Detail (As-Built)



**11C**  
Phase V-B Extension Temporary Liner Termination, Berm, and Basin - Termination at Lined Slope (As-Built)



**11D**  
Phase V-B Extension Temporary Liner Termination, Berm and Basin at LCRs Trench (As-Built)

Note: Rain flap to be welded to continuously to floor and slope liner to create water tight seal.

**A-Mehr, Inc.**

Central Maui Landfill  
Phase V-B Extension And Related Improvements  
Record Drawings  
80 feet Setback BMPs and Drainage Control Details

DATE: 04/18  
SCALE: AS SHOWN  
DRAWN: GM  
CHECKED: JRM  
REVISION: 18

# Central Maui Landfill

## Puunene, Hawaii

### Phase V-B And Related Improvements

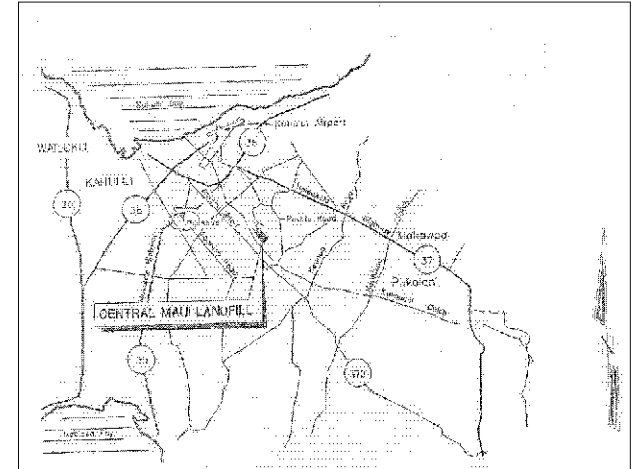
### Record Drawings

Prepared by:

A-Mehr, Inc.  
 23016 Mill Creek Drive  
 Laguna Hills, CA 92653  
 (949) 206-0157  
 1/21/10  
 Revision Date: 11/10/10

Owner:

County of Maui  
 Department of Environmental Management  
 Solid Waste Division  
 2200 Main Street, Suite 225  
 Wailuku, Hawaii 96793



Vicinity Map

This work was prepared by me  
 or under my supervision

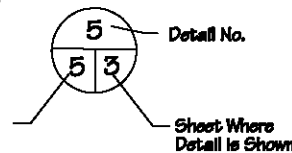
Sheet Number	Sheet Title
1	Cover Sheet
2	Site Map
3	Existing and Expansion Liner Grades
3A	Phase V-A Liner Grades
4A	Subgrades
4B	LCRS & Liner Grades
5	Protective Soil Grades
5A	Horizontal Gas Collectors
6	Interim Fill Plan
7	Liner Details 1
8A	Liner Details 2
8B	Liner Details 3
9	West Perimeter Drainage Plan & Profile
10	East Perimeter Drainage Plan & Profile
11	Horizontal Gas Collector Details

Project Engineer:

Ali Mehrazarin, P.E.

Date

Detail Convention:



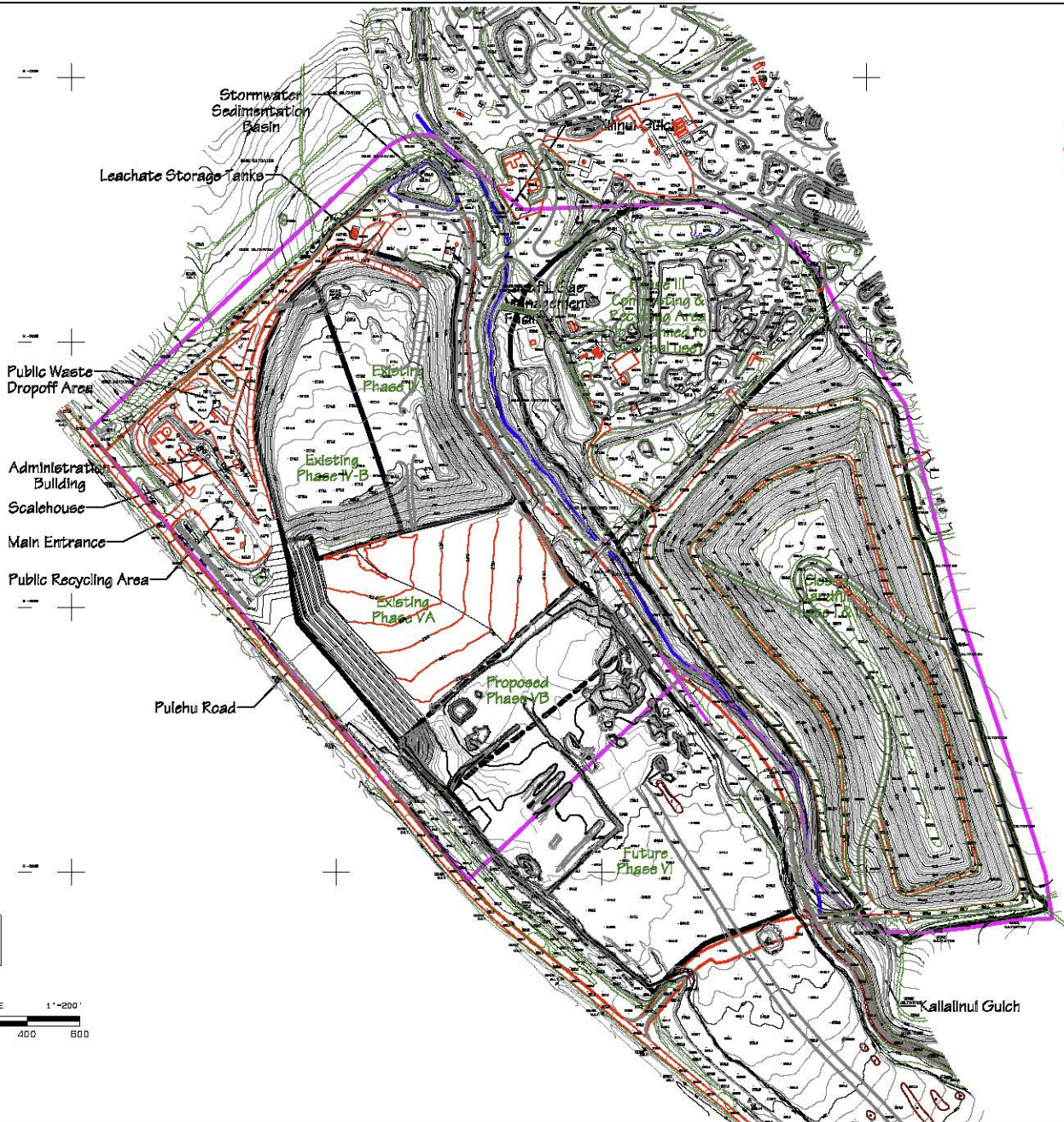
Sheet where Detail  
 is Referenced

Sheet Where  
 Detail is Shown

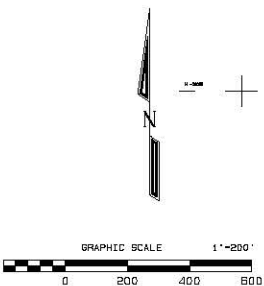
Approved by:

Director of  
 Environmental Management  
 2200 Main Street, Suite 100  
 Wailuku, Hawaii 96793

Date



- Legend:**
- Existing Topography Grades as of 4/2/09
  - Property Line
  - Existing Topography Grades as for work area as of 10/8/09

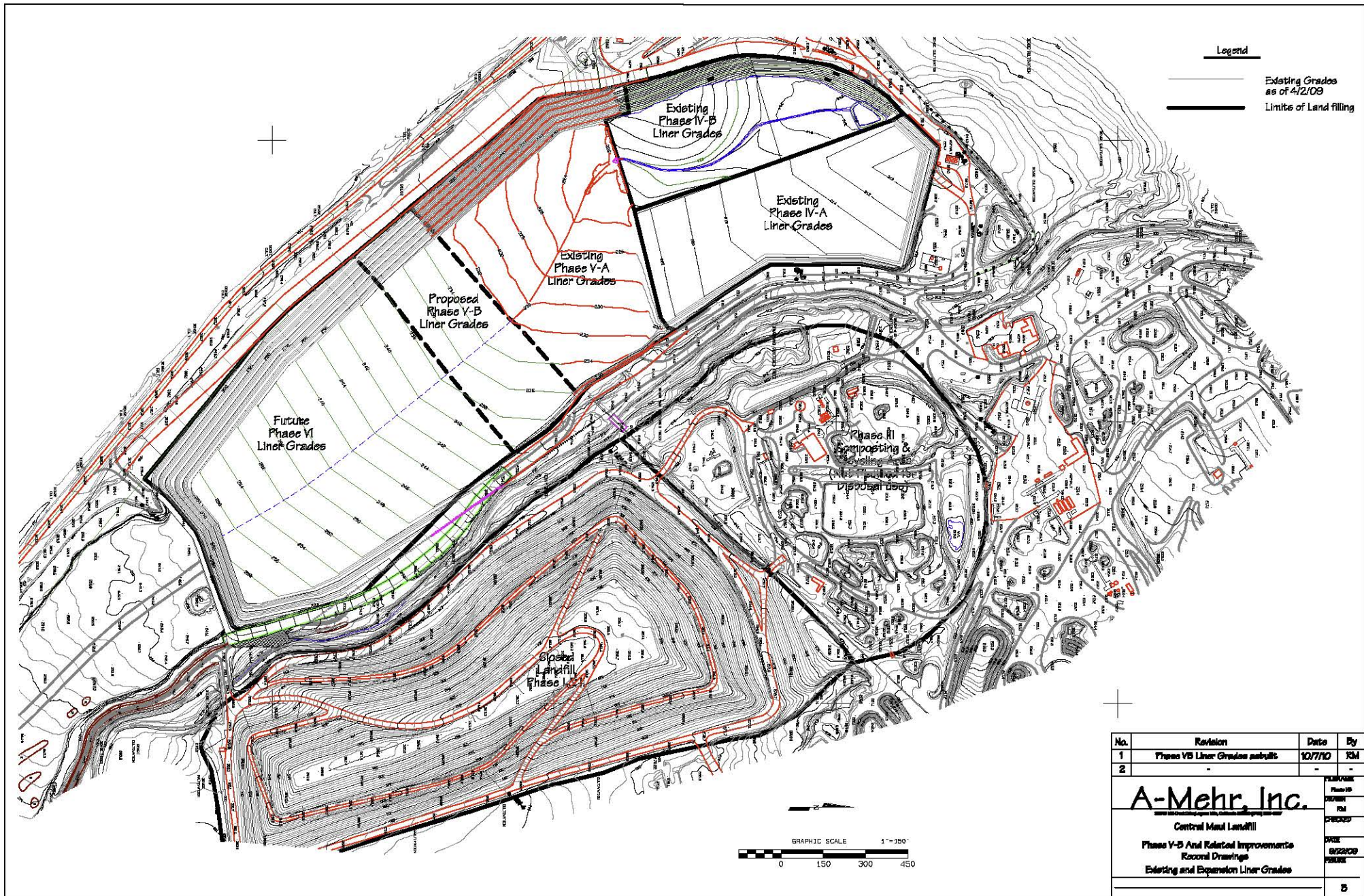


No.	Revision	Date	By
1	Update Topo for Construction Area	10/14/08	RM
2	Update Phase VA Grades (As-Built)	12/7/09	RM
3			

<b>A-Mehr, Inc.</b>		Phase 10 12/1/08 RM
Central Maui Landfill Phase V-B And Related Improvements Record Drawings Site Map		DATE 09/22/09 PSCALE
Existing Topography Grades as of 4/2/09		2





**Legend**

- Existing Grades as of 4/2/09
- Limits of Land filling

No.	Revision	Date	By
1	Phase VB Liner Grades submit	10/7/10	RM
2	-	-	-

<b>A-Mehr, Inc.</b>	
Central Mail Landfill	
Phase V-B And Related Improvements Record Drawings	
Existing and Expansion Liner Grades	
3	

As-Built Liner Grades  
Prepared by Akamal  
Surveying 8/18/09

Existing Phase V-A

Phase V-B

Phase VI  
Borrow Area

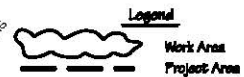
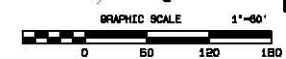
Topo Prepared by Akamal Surveying  
for the work area 10/18/09

See Note 4

See Note 1

See Note 2

See Note 3



- Notes:**
1. Crushed Rock will be removed by others
  2. Processed Compost will be removed by others
  3. Green Waste will be removed by others
  4. Screen Soil will be used by Landfill Operations
  5. Existing Stockpiles and proposed excavation materials within work area will be processed by contractor

No.	Revision	Date	By
1	Update Topo for Construction Areas	10/14/08	RM
2	Liner Grades Asbuilts	10/12/10	RM

**A-Mehr, Inc.**

Central Mass Landfill  
Phase V-B And Related Improvements  
Removal Drawings  
Phase V-A Liner Grades

Existing Topography Grades as of 4/2/09 5A